

Tefal®

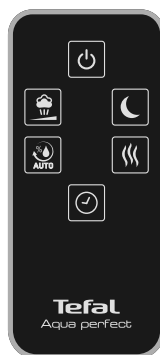
EN

RU

KK

PL

HU



Depending on model
HD523x only

1800144324/01 - 20/17

AQUA PERFECT

HD522x-HD523x

EN - PLEASE READ THIS INSTRUCTION MANUAL CAREFULLY AS WELL AS THE INSTRUCTIONS ON SAFETY AND CLEANING BEFORE YOU START USING THE APPLIANCE. PLEASE KEEP THIS INSTRUCTION MANUAL. FOR YOUR SAFETY THIS APPLIANCE IS COMPLIANT WITH APPLICABLE STANDARDS AND REGULATIONS (LOW VOLTAGE AND ELECTROMAGNETIC COMPATIBILITY DIRECTIVES...).

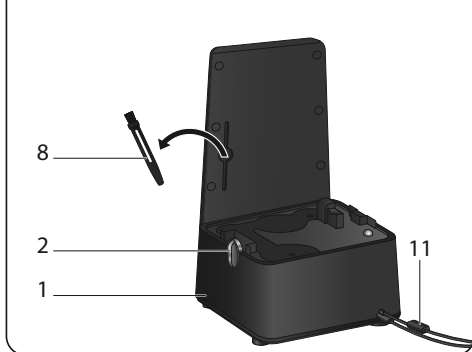
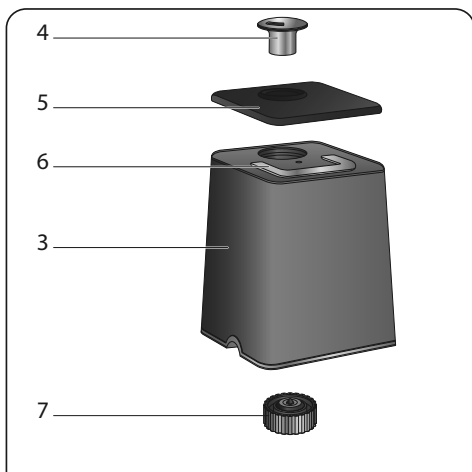
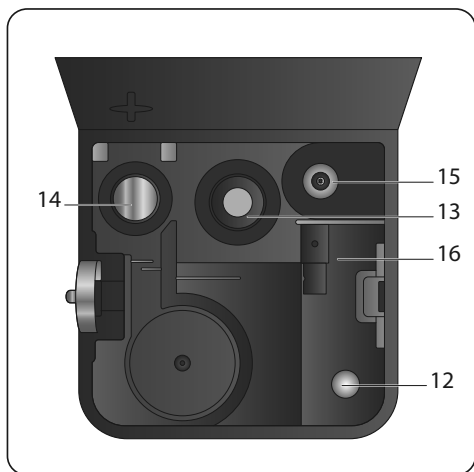
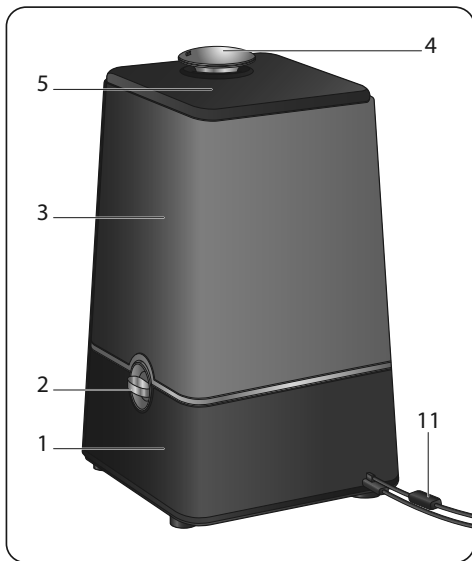
RU - ПРЕЖДЕ ЧЕМ ИСПОЛЬЗОВАТЬ ПРИБОР, ВНИМАТЕЛЬНО ПРОЧИТИТЕ РУКОВОДСТВО ПО ЕГО ИСПОЛЬЗОВАНИЮ И РЕКОМЕНДАЦИИ ПО ТЕХНИКЕ БЕЗОПАСНОСТИ. СОХРАНИТЕ ДАННОЕ РУКОВОДСТВО. В ЦЕЛЯХ ВАШЕЙ БЕЗОПАСНОСТИ ДАННЫЙ ПРИБОР СООТВЕТСТВУЕТ ДЕЙСТВУЮЩИМ НОРМАМ И СТАНДАРТАМ (ДИРЕКТИВЫ, КАСАЮЩИЕСЯ НИЗКОГО НАПРЯЖЕНИЯ, ЭЛЕКТРОМАГНИТНОЙ СОВМЕСТИМОСТИ, ОХРАНЫ ОКРУЖАЮЩЕЙ СРЕДЫ И ДР.).

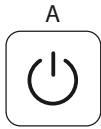
KK - ӘРЕКЕТ ЕТУ ҚАҒИДАСЫН ПАЙДАЛАНУДЫ БАСТАР АЛДЫНДА ПАЙДАЛАНУ ЖӨНІНДЕГІ НҰСҚАУДЫ, СОНДАЙ-АҚ ҚАУІПСІЗДІК ЖӨНІНДЕГІ НҰСҚАУЛАРДЫ МҰҚИЯТ ОҚЫҢЫЗ. ОСЫ ПАЙДАЛАНУ БОЙЫНША НҰСҚАУЛЫҚТЫ ЛАҚТЫРЫП ЖІБЕРМЕҢІЗ. СІЗДІҢ ҚАУІПСІЗДІГІҢІЗДІҢ МАҚСАТЫНДА ОСЫ ҚҰРЫЛҒЫ ҚОЛДАНЫСТАҒЫ СТАНДАРТТАРҒА ЖӘНЕ НОРМАТИВТІК ҚҰЖАТТАРҒА (ТӨМЕН ВОЛЬТТИ ЖАБДЫҚ ТУРАЛЫ, ЭЛЕКТР МАГНИТТІК ҮЙЛЕСІМДІК ТУРАЛЫ ДИРЕКТИВАЛАР, ҚОРШАҒАН ОРТАНЫ ҚОРҒАУ САЛАСЫНДАҒЫ ДИРЕКТИВАЛАР ЖӘНЕ Т.Б.) СӘЙКЕС ДАЙЫНДАЛҒАН.

PL - PRZED PIERWSZYM UŻYCIEM PROSIMY O UWAGNE ZAPOZNANIE SIĘ Z INSTRUKCJĄ OBSŁUGI I Z PORADAMI W ZAKRESIE BEZPIECZEŃSTWA. ABY ZAPEWNIĆ BEZPIECZEŃSTWO UŻYTKOWANIA, URZĄDZENIE JEST ZGODNE Z NORMAMI I OBOWIĄZUJĄCYMI PRZEPISAMI (DYREKTYWAMI DOTYCZĄCYMI NISKIEGO NAPIĘCIA, KOMPATYBILNOŚCI ELEKTROMAGNETYCZNEJ, ŚRODOWISKOWYMI ITD.).

HU - HASZNÁLAT ELŐTT OLVASSA EL FIGYELMESEN ÉS GONDOSAN ŐRIZZE MEG A HASZNÁLATI ÚTMUTATÓT, VALAMINT A BIZTONSÁGI ELŐÍRÁSOKAT. AZ ŐN BIZTONSÁGA ÉRDEKÉBEN A KÉSZÜLÉK KIALAKÍTÁSA MEGFELEL A HATÁLYOS SZABVÁNYOKNAK ÉS ELŐÍRÁSOKNAK (KISFESZÜLTSGŰ BERENDEZÉSEKRE, ELEKTROMÁGNESES KOMPATIBILITÁSRA, KÖRNYEZETVÉDELEMRE... VONATKOZÓ IRÁNYELVEK).

(1)





ON/OFF



NIGHT



WARM MIST



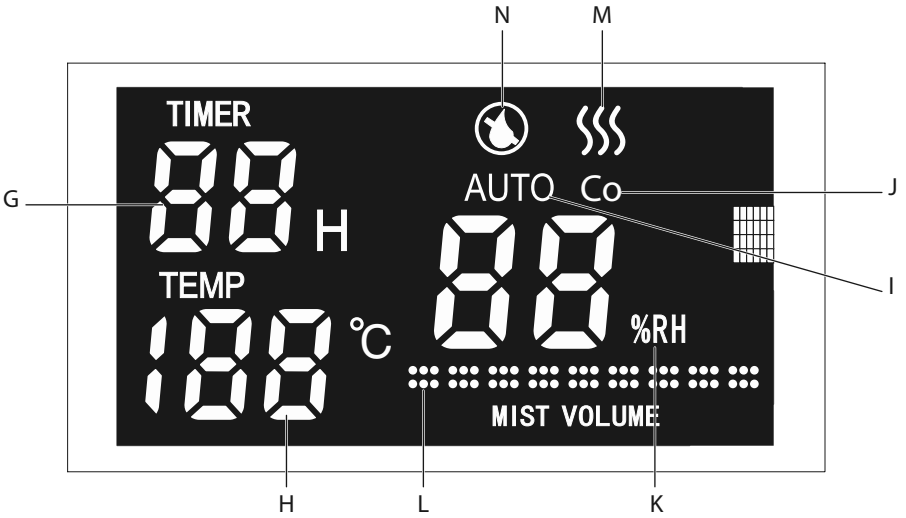
HUMIDITY



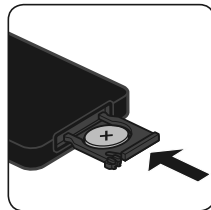
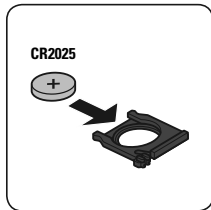
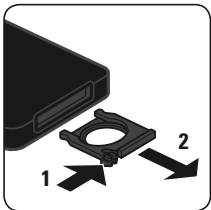
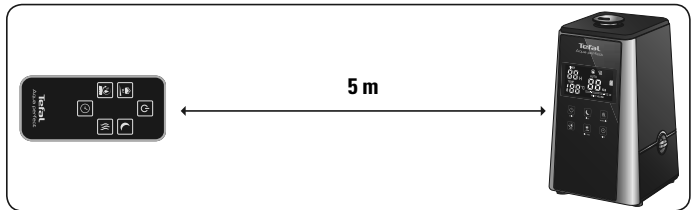
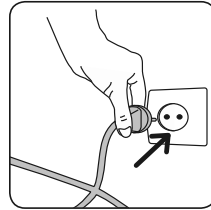
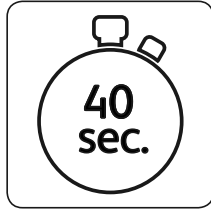
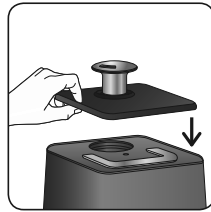
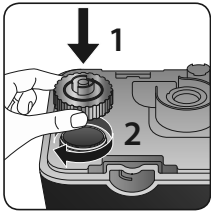
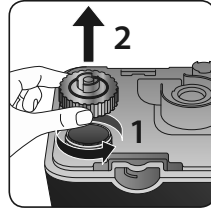
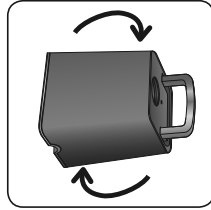
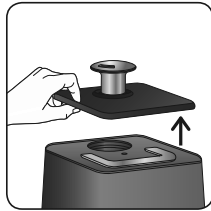
MIN / MAX



TIMER



(3)



Air that is too dry can cause or aggravate sinus and respiratory problems, lead to dry skin, nose and throat and dry out plants and furniture.

Your humidifier is an effective device for diffusing water vapor in the surrounding air.

Humidity, which is expressed as Relative Humidity (RH), is the quantity of vapor present in the air expressed as a percentage of the maximum quantity of vapor that the air can hold at the same temperature without causing condensation.

Relative Humidity is measured with a hygrometer.

OPERATING PRINCIPLE

Your humidifier uses two complementary humidifying systems:

- A cold vapor system: a piezo disc that vibrates at an ultrasonic frequency to create tiny water droplets.

- Heated mist system for anti-bacterial and turbo effects.

It can thus be used to automatically increase the level of humidity of the surrounding air and it also has an electronic hygrometer for precise control of the Relative Humidity.

LOCATION

The use of a humidifier is particularly recommended in winter but the house should still be regularly aired.

First, place the humidifier in the room requiring priority treatment. It is suitable for a room up to 577 sq ft. (53,6m²).

PRODUCT DESCRIPTION (1)

- | | |
|-------------------------|------------------------------------|
| 1. Product base | 9. Touch panel |
| 2. Safety lock | 10. Digital screen |
| 3. Water tank | 11. Temperature & humidity sensors |
| 4. Adjustable nozzle | 12. Water tank light |
| 5. Top cover | 13. Piezo disc |
| 6. Tank carrying handle | 14. Heating element |
| 7. Tank stopper | 15. Water level sensor |
| 8. Cleaning brush | 16. Fan air outlet |

DESCRIPTION OF CONTROL PANEL (2)

Controls

- A. On/Off button
- B. 3 HUMIDITY SETTINGS: Auto Comfort – Control – Continuous
- C. Mist volume button (min/max): 3 speeds
- D. TIMER button
- E. WARM MIST button
- F. NIGHT button : On/Off Light & Sound

Digital screen

- G. Timer : 1 to 12 hours
- H. Room temperature indicator in °C
- I. AUTO = AUTO COMFORT mode
- J. Co = Continuous mode
- K. Required (target) relative humidity in % RH
- L. Mist volume
- M. Warm mist (red light)
- N. Low water level indicator (red light)

WARNINGS

It is essential to read these instructions carefully and to observe the following recommendations.

- This appliance is not intended for persons (including children) with reduced physical, sensory or mental capacities, or without the necessary experience and knowledge unless they are supervised or have been given instructions beforehand on the use of the appliance by a person responsible for their safety.
- This appliance may be used by children aged 8 and over and by persons with reduced physical, sensory or mental capacities, or without the necessary experience or knowledge, if they are properly supervised or have been given instructions beforehand on how to use the appliance safely and made aware of the risks involved.
- Children should be supervised to ensure that they do not play with the appliance.
- Cleaning and maintenance must not be carried out by children unless supervised.
- **NEVER IMMERSER THE BASE OF THE APPLIANCE, THE POWER CORD OR PLUG IN WATER OR ANY OTHER LIQUID.**
- Never obstruct the air inlet grids which are located under the appliance.
- **TURN OFF AND DISCONNECT THE APPLIANCE BEFORE FILLING, CLEANING OR MOVING IT.**
- **NEVER PUT ESSENTIAL OIL OR OTHER ADDITIVES IN THE EVAPORATION DUCT AND/OR THE WATER TANK.**
- **WARNING :** Micro-organisms can grow in the water tank and be blown in the air when the water tank is not cleaned regularly and properly (see MAINTENANCE paragraph).

VERY IMPORTANT

- This appliance has been designed for domestic use only. It can therefore not be used for any industrial application.
- The guarantee is void in the event of any damage caused by improper use.
- Do not operate your appliance in a very dusty atmosphere or where there is a fire risk.
- Before each use, check that the appliance, power cord and plug are in good general condition.
- Never insert objects into the appliance (e.g. : needles...)
- If the power cord is damaged, it must be replaced by the manufacturer, an approved after-sales service centre or a similarly qualified person in order to avoid any danger.
- Keep this appliance out of the reach of children.
- Never pull on the power cord or the appliance, even to disconnect the plug from the wall outlet.
- Unroll the power cord completely before use.
- The regulations concerning the removal of oil and refrigeration agent when the appliance is being disposed must be observed.
- Do not use the appliance outdoors.
- The appliance must be installed in accordance with your country's national regulations.
- The appliance must be fully assembled before connecting to the mains.
- Never use the appliance in any position other than an upright position.
- Place the appliance on a flat, horizontal and stable surface that is not sensitive to humidity. Do not place the humidifier on any wooden furniture, Hi-fi system, TV, or any other electrical appliance.
- Only use drinking water. It is recommended to change the water in the tank at least once a week if water is standing for more than a week.

- Never cover the appliance.
- Never use the appliance without its nozzle.
- Never touch the appliance with wet hands.
- Never move the appliance when it is in operation.
- Never put water in the evaporation duct, it could cause an overflow.
- Never use the appliance near to inflammable objects and materials (curtains, aerosols, solvents, etc....).
- Never leave water in the tank when the appliance is not being used.
- Make sure the water in the tank is replaced before each time of use.
- Please be aware that high levels of humidity may encourage biological organisms to grow in the environment.
- Never allow absorbent materials such as carpet, curtains, or tablecloths to become humid or damp...
- If the appliance is to be left unattended for a prolonged period of time: it is important to turn it off, unplug it, empty the water tank and the vaporization compartment, then clean and allow the appliance to dry.
- Empty and clean the humidifier before storage. Clean the humidifier before next use.
- Clean the water tank. Regular cleaning is recommended; approximately once a week (depending on use). See MAINTENANCE paragraph.
- **WARNING** : Micro-organisms can grow in the water tank and be blown in the air when the water tank is not cleaned regularly and properly (see MAINTENANCE paragraph).
- Be aware that high humidity level may encourage the growth of biological organisms in the environment.
- Do not permit the area around the humidifier to become damp or wet. If dampness occurs, turn the output of the humidifier down. If the humidifier output volume cannot be turned down, use the humidifier intermittently.

STARTING THE APPLIANCE (3)

Before using the appliance for the first time, check that your voltage matches the one indicated on the appliance.

Your appliance can be operated from an electric socket without an earth contact. It is a class II (double insulated ) appliance.

Before switching on your appliance make sure that:

- the appliance is positioned in accordance with these instructions,
- the appliance is on a flat and stable horizontal surface which is not sensitive to humidity and at least 7,87 inches from any other object,
- the air inlet grids located under the appliance are totally unobstructed.

How to use your appliance:

1. Remove the top cover (5).
2. Turn 1/4 up the safety lock (2) located between the base and the water tank and lift the water tank thanks to the carrying handle (6).
3. Unscrew the tank stopper (7).
4. Clean the tank (see paragraph on CLEANING) and fill it with cold water (minimum 0.5 gallon/ maximum 1.55 gallons).

PLEASE NOTE: We advise you to use slightly hard water to avoid the appearance of white dust; you can use tap water, bottled water, distilled water or boiled water.

If you live in a hard water area, use clean, cool tap water. Please remember that the tank must always be filled with cold water.

5. Tighten the stopper and check that there are no water leaks.
6. Check that the base of the appliance is clean and that there are no foreign objects.
7. Check that the water level sensor is not obstructed.
8. Reposition the tank on the base.

WARNING : BE SURE THE WATER TANK IS WELL PLUGGED ON THE WATER BASE.

9. Turn 1/4 down the safety lock (2) located between the base and the water tank, to lock the water tank on the base.
10. Adjust the nozzle so that the steam is not directed at an obstacle, which could adversely affect the humidity regulation.
11. **Wait for forty seconds** for the water fill in the vaporization compartment.
12. Plug the appliance in.
13. Turn the appliance on. The digital screen lights up and the device starts directly in AUTO COMFORT.

HOW THE APPLIANCE OPERATES

This appliance has **3 operating modes (AUTO COMFORT, CONTROL , CONTINUOUS)** as well as various additional functions.

“ON/STAND-BY”:

switch on / standby (stop); button A.

Press button (A) to start the appliance or to put it on standby. The digital screen lights up and the device starts directly in AUTO mode.

SMART OPERATION MODES:

Selection of operating modes using button B. Select one of the three modes by repeatedly pressing the button B.

1 - AUTO COMFORT MODE:

The appliance will automatically adapt the humidity level according to the room temperature for optimal comfort at home.

In order to reach the optimal comfort in the room you are in, this setting takes in account the room temperature and calculates the optimal humidity level.

When the humidity in the room is lower than the program, the appliance operates at maximum speed.

When the humidity in the room is reached, the appliance stops working and re-starts at maximum speed as soon as the humidity in the room is lower than the program.

The humidity and the temperature in the room are measured every 60 seconds.

Temperature	≤19 °C	20-21°C	22-23°C	24-25°C	26-27°C	28-29°C	30-32°C	33-36°C	≥37°C
Humidity target % RH	65 %	60 %	55 %	50 %	45 %	40 %	35 %	30 %	25 %

You can select the warm mist function with Auto comfort mode.

2 - CONTROL MODE:

• **Humidity level: Button B for adjusting the required (target) humidity level;**

Select the required humidity level by pressing button B several times.

The humidity level displayed is the required level that you have set (between 45% and 90% RH).

You can select the warm mist function with Control mode.

• **Mist volume: Button C**

Select the required mist volume by pressing button C several times. There are three speeds available.

You can adjust the mist volume in order to reach faster the required level of humidity.

PLEASE NOTE: This setting cannot be used for **AUTO COMFORT** mode.

3 - CONTINUOUS MODE:

Press the Button B, until the continuous mode, “Co” appears on the digital screen.

The appliance operates until reaching 90% RH (safety limit) or until the reservoir is empty. The mist is permanently emitted and you can adjust the mist volume.

The appliance will stop working automatically when the humidity level of the room is over 90% RH and

it will re-start when the humidity level of the room measured is 80% RH.

WARNING: In the continuous operating mode, the humidity in the room can reach very high levels that are not beneficial to health and can damage certain objects. The recommended optimal humidity level is between 50 and 60% RH.

• **Mist volume: Button C**

Select the required mist volume by pressing button C several times. There are three speeds available.

ADDITIONAL FUNCTIONS:

• **TIMER: Button D for programming the automatic stop of the appliance.**

Select the number of hours that you want the appliance to run for (from 1 to 12 hours) before the appliance automatically stops, by pressing button D several times. The display will show the remaining time. Anytime, you can change the timer, increasing the time by pressing the button, until 12hours.

• **WARM MIST function Button E: Heated mist for anti-bacterial and turbo effects:**

Press button E to start or stop the “Warm Mist” function. On the screen, the red pictogram appears or disappears. After 10 minutes of use, the mist becomes warm.

After 30 minutes of use on warm mist position, the anti-bacterial action starts and allows you to fight the growth of germs* in the water base of the device. This function also comes as an extra to the other operating modes and allows you to increase the humidity output by 20%. As soon as the level of humidity of the room is lower, the warm mist re-starts (on the screen the red pictogram appears).

* Removes up to 91% of *Escherichia Coli* and *Staphylococcus Aureus* bacteria representing most of the bacteria known to exist after 30 minutes of use on warm mist position - under normal conditions of use – tests carried out by an independent laboratory.

• **NIGHT function: On/Off Light & Sound: Button F.**

Press button F to turn the function on or off.

This function allows you to switch off the light of the water tank as well as the beep sounds of touch-button.

PLEASE NOTE: If night mode is activated the sound indicator for empty tank will not work. Only light indicator N for empty tank (red picto) is blinking.

• **APPLIANCE(S) WITH REMOTE CONTROL (HD523x) :**

The remote control uses 1 x 3V button cell (CR2025) which is not included.

Place the batteries in their compartment making sure that you put them in with the positive and negative ends the right way round as shown in the battery compartment.

IMPORTANT: You are advised to switch off and unplug the appliance when not in use. When storing the appliance for a longer period of time, please remove the batteries from the remote control.

• **EMPTY TANK INDICATOR: red light N and sound indicator**

If the water level is too low or if the water tank is removed, the three beeps are activated along with the red pictogram (N) blinking on the screen. If the water tank is not filled or replaced after 15 minutes, the appliance will stop automatically. Fill the tank and replace the water tank on the base, the appliance will work normally.

MAINTENANCE

IMPORTANT: this type of appliance requires regular and thorough maintenance. Like for any humidifiers with stagnant water, we recommend to give the appliance a complete clean once a week (depending on use) to avoid bacteria proliferation.

You must always switch off and unplug your appliance before undertaking any maintenance on it.

Never put the product base under tap water because of risk of water entrance by air outlet.

It is important to clean the water tank, the vaporization area (around the piezo disc, the heating element and the piezo disc.) and the air inlet grids located under the appliance regularly.

Never use detergents or scouring products for cleaning your appliance.

Never immerse the base of the appliance, the power cord or plug in water or any other liquid.

We recommend to use cold boiled water or distilled water.

• **Cleaning the tank:**

1- Clean the tank and the tank stopper using soapy water and dry it with a soft dry rag.

2- To clean the inside of the tank, pour water into it and shake vigorously. Empty and dry with a soft dry rag.

3- Make sure to pull out the water from appliance and dry it before you store it for a long period of time.

• **Cleaning the vaporization compartment (around the piezo disc 13), the heating element and the piezo disc.**

Rinse regularly (every 3 days) the water base with fresh water and dry it with soft dry rag.

IMPORTANT : make sure that no water gets into the fan air outlet (16).

Regular cleaning of the piezo disc and heating element will avoid scaling. Do not use hard or abrasive utensils, only use the brush provided with the device.

In case of scaling appearance, please refer to the paragraph "CLEANER AND DESCALER PROVIDED WITH THE APPLIANCE".

WARNING : we recommend to give the heating element and the piezo disc a complete clean as soon as scaling sediment appeared on them to preserve same level of performances.

IMPORTANT: Never use abrasive cleaners as these are likely to spoil the appearance of your appliance. Instead, clean your appliance with a slightly moist rag and the brush provided with the device.

If you have any questions, please see the TEFAL international guarantee card enclosed with this product, where you will find the Consumer Service contact details.

CLEANER AND DESCALER PROVIDED WITH THE APPLIANCE

INSTRUCTIONS FOR USE:

- 1- Turn off the unit and remove the water tank.
- 2- Add the powder from 2 bags to 0.6 liters of hot water in a container. Stir until the powder has completely dissolved.
- 3- Fill the water base with this solution and wait for 1 hour to take effect.
- 4- Empty and remove the scale using the brush provided with the product.
- 5- Rinse out the whole of the compartment with fresh tap water. (Important, make sure that no water gets into the fan air outlet).
- 6- Your appliance is now ready to be used again.

WARNING: keep out of reach of children - harmful if ingested - Irritating to eyes and skin.

FIRST AID:

EYE CONTACT: flush immediately with water for at least 15 minutes and seek medical advice.

SKIN CONTACT: wash immediately with soap and water.

INGESTION: drink enough water to spit ; may cause upset stomach -Get medical advice/attention.

INGREDIENTS:

Citric Acid >99%

You can also use the ANTICALC KIT of KRUPS, sold as accessory, F054 (F054001).

Please notice, only 20 grams of the powder are necessary for the descaling operation of your device.

STORAGE

When the appliance is not in use, it should be stored in a dry place.

Make sure to empty the tank, clean and dry the appliance before storing it.

IN THE EVENT OF A PROBLEM

Never dismantle your appliance yourself. An incorrectly repaired appliance can be a danger to the user. Before contacting an approved Service Centre from our network, make sure that the appliance is in the normal operating position and the air intake and outlet grills are totally unobstructed.

Problem	Possible Cause	What to do
The appliance does not work when switched on	The target humidity is reached.	Increase the target humidity in CONTROL MODE or select CONTINUOUS MODE.
	The water level indicator is blinking.	Refill the water tank.
	The water tank isn't well positioned.	Check the positioning of the tank on the base.
	The appliance isn't on a flat surface.	Check the positioning of the appliance (tilt).
	The water level required has not yet reached the vaporization compartment.	Wait at least 20 secs.
	The RH% of the room is over 90%.	Wait till the RH% of the room gets below 80%.

The humidification capacity is too low	There is natural or artificial air replacement in the room which interfere the increase of HR%.	Check if doors and windows are closed. Check if there is no air conditioning working in the room.
	The air inlet grids and nozzle could be blocked.	Remove any blocking items from the grids and the nozzle.
	There is too much scale in the water basin or on the piezo part.	Clean the water base according to Maintenance Instructions.
	The Humidity selected rate is too low.	Increase Vaporization Speed in CONTROL MODE. Increase Humidity setting in CONTROL MODE.
The ambient humidity is too high	The appliance is working in CONTINUOUS MODE.	Change the mode.
	The humidity target is too high.	Select a lower RH% target.
There is condensation in the room	The room temperature is too low.	Heat the room up.
The appliance is too noisy	The appliance is unstable.	Place the appliance on a flat and stable surface.
	There may be resonance in water tank due to low water level.	Refill the water tank.
The mist suddenly stops coming out	Programmed timer period has run out.	Turn your product on.
	The water level indicator is blinking.	Refill the water tank.
	The target humidity level is reached.	
The warm mist function doesn't produce any warm humidity	The product is in warm-up phase.	Wait a few minutes till the end of the phase.
	The mist is too fine to feel the warmth.	Increase the speed level.
	The room temperature is too cold and the mist may cool down too quickly.	Increase the speed level and Heat the room up.
The appliance does not work with no display on screen	There is no power supply.	Plug in power plug in main sockets.
There is abnormal smell mist	It's first use of appliance.	The smell will disappear after several minutes of use.
	The water used is dirty or has rested too long in water tank or water base.	Clean the water tank and the water base according to the Maintenance Instructions.
Mist fog is coming out from around nozzle	There are apertures between the nozzle, the cover and the water tank.	Reposition the cover and check if the nozzle is well plugged in the cover.

ENVIRONMENT PROTECTION FIRST !



Your appliance contains valuable materials which can be recovered or recycled.

Leave it at a local civic waste collection point.

If this appliance uses batteries: help us look after the environment, by not throwing away your used batteries.

Instead, bring them to anyone of the special battery collection points. Do not throw them away with your household waste.

These instructions can also be found on our internet site www.tefal.com.

This user manual is downloadable online.

Слишком сухой воздух благоприятствует развитию инфекций и заболеваний дыхательных путей, может высушивать кожу, слизистую оболочку, растения, мебель.

Ваш увлажнитель воздуха позволит эффективно распространять водяной пар в окружающем вас воздухе.

Влажность выражается в форме относительной влажности (RH). RH – это процентное отношение, указывающее на количество пара, содержащегося в воздухе, по отношению к максимальному количеству воды, которое может содержаться в воздухе при данной температуре без образования конденсата.

Относительная влажность (RH) измеряются с помощью гигрометра.

ПРИНЦИП РАБОТЫ

Ваш увлажнитель воздуха использует две дополнительные системы увлажнения:

- Система холодного пара: керамический диск вибрирует на ультразвуковой частоте и производит мельчайшие капельки воды.
- Система теплого пара с антибактериальным эффектом и увеличенным парообразованием. Прибор позволяет автоматически увеличивать уровень влажности воздуха и точно контролирует Относительную Влажность с помощью электронного гидростата.

МЕСТО УСТАНОВКИ

Прибор можно использовать круглый год, но особо рекомендуется использовать увлажнитель в зимнее время года.

Сначала установите увлажнитель в помещении, воздух которого требует обработки. Прибор предназначен для помещения площадью до 53,6 м².

ОПИСАНИЕ ИЗДЕЛИЯ (СХЕМА 1)

- | | |
|---|-------------------------------------|
| 1. База | 9. Сенсорная панель |
| 2. Система блокировки резервуара для воды | 10. Экран |
| 3. Резервуар для воды | 11. Датчики температуры и влажности |
| 4. Поворачивающийся наконечник | 12. Подсветка резервуара для воды |
| 5. Верхняя крышка | 13. Керамический диск |
| 6. Ручка для переноски резервуара | 14. Нагревательный элемент |
| 7. Крышка резервуара | 15. Датчик уровня воды |
| 8. Щетка для очистки | 16. Выходное отверстие увлажнителя |

ОПИСАНИЕ ПАНЕЛИ УПРАВЛЕНИЯ (СХЕМА 2)

Панель управления

- A. Кнопка «on/off»
- B. Клавиша «Выбор 3 параметров влажности»: Автоматический режим - Контроль - Непрерывный
- C. Клавиша «Выбор интенсивности пара» (мин./макс.): 3 скорости
- D. Клавиша «Таймер» (TIMER)
- E. Клавиша «теплый пар» (WARM MIST)
- F. Клавиша «ночь» (NIGHT): кнопка «без подсветки резервуара» и «без звуковых сигналов»

Цифровой экран

- G. Таймер: 1–12 часов
- H. Индикатор температуры в помещении в °C
- I. AUTO = АВТОМАТИЧЕСКИЙ РЕЖИМ НАСТРОЙКИ КОМФОРТНОГО УРОВНЯ ВЛАЖНОСТИ
- J. Co = НЕПРЕРЫВНЫЙ режим
- K. Целевая относительная влажность в %
- L. Интенсивность пара (скорость распыления)
- M. Теплый пар (красный индикатор)
- N. Индикатор низкого уровня воды (красный индикатор)

ВНИМАНИЕ!

Очень важно внимательно прочесть настоящее руководство по эксплуатации и следовать рекомендациям, приведенным ниже:

- Прибор не предназначен для использования лицами, в том числе детьми, с ограниченными физическими, сенсорными или умственными способностями, а также лицами без достаточного опыта и знаний. Эти люди могут пользоваться прибором только под наблюдением лиц, отвечающих за их безопасность, или после получения от них предварительных инструкций по его эксплуатации.
- Прибор могут использовать дети младше 8 лет или люди со сниженными физическими, сенсорными или умственными способностями, а также не имеющие опыта или знаний, если они находятся под должным наблюдением или если им были даны инструкции о безопасном пользовании прибором, и если были оценены возможные риски.
- Не разрешайте детям играть с прибором.
- Чистка и уход за прибором могут осуществляться детьми только под присмотром взрослых.
- НЕ ПОГРУЖАЙТЕ БАЗУ ПРИБОРА, ПИТАЮЩИЙ КАБЕЛЬ ИЛИ ВИЛКУ ПИТАНИЯ В ВОДУ ИЛИ В ЛЮБУЮ ДРУГУЮ ЖИДКОСТЬ.
- Никогда не закрывайте воздухозаборные решетки, расположенные под прибором.
- ВЫКЛЮЧАЙТЕ ПРИБОР И ОТКЛЮЧАЙТЕ ЕГО ОТ СЕТИ ПЕРЕД НАПОЛНЕНИЕМ ВОДОЙ, ЧИСТКОЙ ИЛИ ПЕРЕМЕЩЕНИЕМ.
- ЗАПРЕЩАЕТСЯ НАЛИВАТЬ ЭФИРНОЕ МАСЛО И ДРУГИЕ ПРИМЕСИ В КАНАЛ РАСПЫЛЕНИЯ И/ИЛИ В РЕЗЕРВУАР С ВОДОЙ.
- ВНИМАНИЕ: если не чистить резервуар для воды регулярно и должным образом, в нем может расти количество микроорганизмов и они могут быть распылены в воздухе. (см. раздел УХОД).


ОЧЕНЬ ВАЖНО

- Прибор разработан исключительно для использования в бытовых условиях. Следовательно, он не предназначен для промышленного применения.
- Гарантия аннулируется в случае повреждения в результате неправильного использования.
- Запрещается включать прибор в очень пыльном помещении или в помещении, где существует риск возникновения пожара.
- Перед каждым использованием следует проверять общую исправность прибора, электрической вилки и кабеля питания.
- Никогда не помещайте посторонние предметы внутрь прибора (например, иголки).
- Если шнур питания поврежден, в целях безопасности он должен быть заменен производителем, его сервисной службой или квалифицированным специалистом.
- Храните прибор в недоступном для детей месте.
- Не тяните за шнур питания или за сам прибор, чтобы вынуть вилку из настенной розетки.
- Размотайте сетевой шнур полностью перед использованием.
- Необходимо соблюдать правила, касающиеся удаления масла и холодильного агента при утилизации прибора.
- Не используйте прибор на открытом воздухе.
- Устройство должно быть установлено в соответствии с правилами, действующими в вашей стране.
- Устройство должно быть полностью собрано перед подключением к электросети.
- Никогда не используйте устройство в другом положении, кроме вертикального.
- Установите прибор на ровной устойчивой горизонтальной поверхности, не подверженной накоплению влаги.

- Не ставьте прибор на деревянную мебель, аудиосистему, телевизор или любые другие электрические приборы.
 - Используйте только чистую воду. Рекомендуется менять воду в резервуаре по крайней мере один раз в неделю, если вода там остается более чем на неделю.
 - Не накрывайте прибор.
 - Не используйте прибор без насадки.
 - Не касайтесь прибора мокрыми руками.
 - Не перемещайте прибор во включенном состоянии.
 - Не наливайте воду в распылительное сопло. Это может привести к выплеску воды через край.
 - Не используйте прибор в непосредственной близости от воспламеняющихся веществ и предметов (занавески, аэрозоли, растворители и т.п.).
 - Никогда не оставляйте воду в резервуаре, если вы не пользуетесь прибором.
 - Заменяйте воду в резервуаре при каждом использовании прибора.
 - Помните о том, что высокий уровень влажности может привести к росту биологических организмов в окружающей среде.
 - Не допускайте увлажнения или намочения абсорбирующих материалов, таких как ковры, занавески, скатерти и т. п.
 - Если прибор должен быть оставлен без присмотра надолго: очень важно выключить прибор, отключить его от сети, опорожнить резервуар для воды и отсек распыления, почистить прибор и дать ему высохнуть.
 - Вылейте воду и очистите увлажнитель воздуха перед хранением. Очистите увлажнитель воздуха до следующего использования.
 - Очистите резервуар для воды. Рекомендуется регулярная очистка; примерно один раз в неделю (в зависимости от использования).
- См. раздел УХОД.
- **ВНИМАНИЕ:** если не чистить резервуар для воды регулярно и должным образом, в нем может расти количество микроорганизмов и они могут быть распылены в воздухе. (см. раздел УХОД).
 - Не допускайте, чтобы поверхность вокруг увлажнителя становилась влажной или мокрой. Если образуется влага, поверните выход увлажнителя воздуха вниз. Если выход увлажнителя нельзя повернуть вниз или уменьшить выпуск пара, используйте увлажнитель воздуха с перерывами.

ВКЛЮЧЕНИЕ ПРИБОРА (СХЕМА 3)

Перед первым использованием убедитесь в том, что напряжение в вашей сети соответствует напряжению, указанному на вашем приборе.

Прибор может работать от электрической розетки без заземляющего контакта. Это прибор класса II (с двойной изоляцией ).

Перед включением прибора убедитесь в том, что:

- соблюдены правила установки прибора, описанные в настоящем руководстве;
- прибор находится на ровной надежной горизонтальной поверхности, устойчивой к воздействию влаги и на расстоянии как минимум 20 см (7,87 дюйма) от любого другого предмета;
- воздухозаборные решетки, расположенные под прибором, не закрыты.

Подготовка к работе:

1. Снимите верхнюю крышку (5).
2. Поверните на 1/4 оборота вверх замок безопасности (2), расположенный между базой и резервуаром для воды, и поднимите резервуар для воды с помощью ручки для переноски (6).
3. Открутите крышку резервуара (7).
4. Почистите резервуар (см. раздел ЧИСТКА) и наполните его холодной водой (минимум 1,89 литра / максимум 5,86 литра).
5. Затяните крышку и проверьте, нет ли утечки воды.

ПРИМЕЧАНИЕ. Мы рекомендуем использовать воду с низким содержанием извести для недопущения появления белого налета: используйте питьевую водопроводную воду, воду из бутылок, дистиллированную или кипяченую воду. При этом следите за тем, чтобы резервуар всегда был наполнен холодной водой.

6. Убедитесь в том, что база прибора чистая и что на ней нет посторонних предметов.
7. Убедитесь, что датчик уровня воды не забит.
8. Установите резервуар на базу.

ВНИМАНИЕ: УБЕДИТЕСЬ, ЧТО РЕЗЕРВУАР ДЛЯ ВОДЫ НАДЕЖНО СОЕДИНЕН С БАЗОЙ.

9. Поверните на 1/4 оборота вниз замок безопасности (2), расположенный между базой и резервуаром для

воды, чтобы заблокировать резервуар для воды на базе.

10. Отрегулируйте сопло так, чтобы пар не был направлен на препятствия, которые могут ухудшить регулирование влажности.
11. **Подождите сорок секунд**, пока вода заполнит испарительную камеру.
12. Подключите прибор к сети.
13. Включите прибор. Экран загорается и прибор включается в АВТОМАТИЧЕСКОМ РЕЖИМЕ НАСТРОЙКИ КОМФОРТНОГО УРОВНЯ ВЛАЖНОСТИ.

ФУНКЦИОНИРОВАНИЕ

Настоящий прибор имеет **3 режима работы (АВТОМАТИЧЕСКИЙ РЕЖИМ, КОНТРОЛЬ, НЕПРЕРЫВНЫЙ)**, а также разные дополнительные функции.

«ON/STAND-BY»:

Включение / Режим ожидания (Выключение); Кнопка А.

Нажмите на кнопку (А), чтобы включить прибор или перевести его в режим ожидания.

Цифровой экран загорается, и прибор включается в АВТОМАТИЧЕСКОМ РЕЖИМЕ.

ИНТЕЛЛЕКТУАЛЬНЫЕ РЕЖИМЫ:

Выбор режимов работы с помощью клавиши В. Выберите один из трех режимов, несколько раз нажав на кнопку В.

1 - АВТОМАТИЧЕСКИЙ РЕЖИМ НАСТРОЙКИ КОМФОРТНОГО УРОВНЯ ВЛАЖНОСТИ:

Для обеспечения наиболее комфортных условий в доме прибор автоматически регулирует уровень влажности в зависимости от температуры воздуха в помещении.

Для достижения оптимального комфорта в помещении, где вы находитесь, эта настройка учитывает температуру окружающей среды и рассчитывает оптимальный уровень влажности.

Когда влажность в комнате меньше, чем предусмотрено программой, прибор работает на максимальной скорости. Когда нужный уровень влажности в комнате достигнут, прибор прекращает работу и снова перезапускается на максимальной скорости, когда влажность в помещении становится меньше, чем предусмотрено программой.

Влажность и температура в помещении измеряются каждые 60 секунд.

Температура	≤19 °C	20-21 °C	22-23 °C	24-25 °C	26-27 °C	28-29 °C	30-32 °C	33-36 °C	≥37 °C
Целевая влажность	65 %	60 %	55 %	50 %	45 %	40 %	35 %	30 %	25 %

Вы можете выбрать функцию теплого пара в **АВТОМАТИЧЕСКОМ РЕЖИМЕ НАСТРОЙКИ КОМФОРТНОГО УРОВНЯ ВЛАЖНОСТИ**.

2 - РЕЖИМ КОНТРОЛЯ:

• **Уровень влажности: кнопка В для регулировки требуемого (целевого) уровня влажности;**

Выберите необходимый уровень влажности, несколько раз нажав на кнопку В

Отображается требуемый уровень влажности, когда уровень влажности в помещении больше, чем 90%, и снова включается, когда уровень относительной влажности в помещении опускается до 80%.

• **Интенсивность пара: клавиша С**

Выберите требуемую интенсивность пара, несколько раз нажав на кнопку С. Доступны три скорости. Вы можете регулировать интенсивность выходящего пара, чтобы быстрее достичь требуемого уровня влажности.

ОБРАТИТЕ ВНИМАНИЕ: этот параметр не может быть использован в **АВТОМАТИЧЕСКОМ РЕЖИМЕ НАСТРОЙКИ КОМФОРТНОГО УРОВНЯ ВЛАЖНОСТИ**.

3 - НЕПРЕРЫВНЫЙ РЕЖИМ:

Нажимайте кнопку В, пока индикатор непрерывного режима «Со» не появится на цифровом экране.

Прибор работает до тех пор, пока не будет достигнута относительная влажность 90% (предел безопасности) или пока резервуар не опустеет. Пар выпускается непрерывно, и вы можете регулировать его интенсивность. Прибор автоматически выключается, когда уровень влажности в помещении больше, чем 90%, и снова включается, когда уровень относительной влажности в помещении опускается до 80%.

ВНИМАНИЕ: в непрерывном режиме влажность в помещении может достигать очень высокого уровня, который не благоприятен для здоровья и может повредить некоторые предметы. Оптимальный уровень относительной влажности составляет 50–60%.

• **Интенсивность пара: клавиша С**

Выберите требуемую интенсивность пара, несколько раз нажав на кнопку С. Доступны три скорости.

ДОПОЛНИТЕЛЬНЫЕ ФУНКЦИИ:

• ТАЙМЕР: клавиша D для программирования автоматического выключения прибора.

Выберите количество часов, в течение которых прибор должен работать (от 1 до 12 часов), прежде чем он автоматически выключится, несколько раз нажав на клавишу D.

На экране отображается оставшееся время. В любое время вы можете изменить таймер, увеличивая время до 12 часов нажатием клавиши D.

• Функция ТЕПЛЫЙ ПАР – клавиша E: подогреваемый пар для антибактериального эффекта и эффекта «турбо»:

Нажмите кнопку E, чтобы запустить или остановить функцию теплого пара. На экране появляется или исчезает красный значок. Через 10 минут использования пар становится теплым.

Через 30 минут работы в положении теплого пара начинается антибактериальное действие, что позволяет бороться с распространением микробов* в базе устройства. Эта функция также дополняет другие режимы работы и позволяет увеличить интенсивность увлажнения на 20%. Когда уровень влажности в помещении ниже, подача теплого пара возобновляется (на экране появляется красный значок).

** Борется с микробами в корпусе устройства, устраняет до 91 % бактерий Escherichia Coli и Staphylococcus Aureus, составляющих 30 % известных бактерий. Эффект достигается через 30 минут работы в режиме тепло пара при нормальных условиях использования. Исследования проведены независимой лабораторией.*

• Функция НОЧЬ: включение/выключение подсветки резервуара и звука: клавиша F.

Нажмите кнопку F, чтобы включить или выключить функцию.

Эта функция позволяет выключить подсветку резервуара для воды и звуковые сигналы сенсорных клавиш.

ОБРАТИТЕ ВНИМАНИЕ: если ночной режим активирован, звуковой сигнал пустого резервуара не работает. Только мигает индикатор пустого резервуара N (красный значок).

• ПРИБОР(Ы) С ПУЛЬТОМ ДИСТАНЦИОННОГО УПРАВЛЕНИЯ (HD523x)

Пульт дистанционного управления работает от 1 батарейки CR2025 с напряжением 3 В («таблетка»), которая не входит в комплект.

Вставьте батарейки в отсек, соблюдая полярность, как показано в батарейном отсеке.

ВАЖНО: рекомендуется выключить прибор и отключить его от сети, когда он не используется. При хранении устройства в течение длительного периода выньте батарейки из пульта дистанционного управления.

• ИНДИКАТОР ПУСТОГО РЕЗЕРВУАРА: красный индикатор N и звуковой сигнал

Если уровень воды слишком низкий или если резервуар для воды снят, издаются три звуковых сигнала и красный значок (N) мигает на экране. Если резервуар для воды не заполнен или не поставлен на место в течение 15 минут, устройство автоматически выключается. Заполните резервуар и установите резервуар для воды на базу, и прибор будет работать в обычном режиме.

УХОД

ВАЖНО: приборы этого типа требуют регулярного и тщательного ухода. Как и все увлажнители, где вода может застаиваться, мы рекомендуем полностью чистить устройство один раз в неделю (в зависимости от использования) для предотвращения роста количества бактерий. Перед любой операцией по чистке прибора выключите его и отключите от сети.

Никогда не помещайте базу изделия под проточную воду из-за риска попадания воды в воздухозаборник.

Регулярно очищайте резервуар для воды, зону испарения (вокруг пьезоэлектрического диска) и воздухозаборные решетки, расположенные под прибором.

Никогда не опускайте базу прибора, питающий провод и вилку в воду или другую жидкость.

Мы рекомендуем использовать холодную кипяченую или дистиллированную воду.

• Чистка резервуара:

- 1- Промойте крышку и резервуар для воды мыльной водой, тщательно сполосните и вытрите с помощью мягкой сухой тряпочки.
- 2- Для того чтобы очистить внутреннюю часть резервуара, залейте воду в резервуар и энергично встряхивайте. Опорожните резервуар и протрите его сухой мягкой тряпочкой.
- 3- Обязательно удалите воду из прибора и высушите его перед хранением в течение длительного периода времени.

• Чистка зоны распыления (около пьезоэлектрической пластины 13), нагревательного элемента и керамического диска:

Регулярно (каждые 3 дня) промывайте базу прибора чистой водой и вытирайте насухо мягкой сухой тканью. **ВАЖНО!** Убедитесь, что вода не поступает в отверстие для выхода воздуха (16).

Регулярная очистка пьезоэлектрического диска и нагревательного элемента предотвращает известковые отложения.

Не используйте жесткую посуду или абразивные средства, используйте только щетку, поставляемую вместе с устройством.

В случае появления известкового налета см. раздел «СРЕДСТВО ДЛЯ ОЧИСТКИ И УДАЛЕНИЯ НАКИПИ ВХОДИТ В КОМПЛЕКТ ПОСТАВКИ ПРИБОРА».

ВАЖНО: мы рекомендуем чистить керамический диск и нагревательный элемент сразу после появления на них известковых отложений, чтобы всегда обеспечивать один и тот же уровень производительности.

ВАЖНО: никогда не используйте абразивные чистящие средства, так как они могут испортить внешний вид устройства. Устройство желательно очищать слегка влажной тканью и щеточкой, которая входит в комплект поставки устройства.

Если у вас возникнут какие-либо вопросы, см. международный гарантийный талон компании TEFAL, прилагаемый к данному товару. Там вы найдете координаты центра обслуживания клиентов.

СРЕДСТВО ДЛЯ ОЧИСТКИ И УДАЛЕНИЯ НАКИПИ ВХОДИТ В КОМПЛЕКТ ПОСТАВКИ ПРИБОРА

Руководство пользователя:

- 1- Выключите аппарат и снимите резервуар для воды.
- 2- В миске размешайте порошок 2 пакетиков в 0,6 л теплой воды. Размешивайте до полного растворения порошка.
- 3- Залейте раствор в поддон аппарата и для достижения эффекта оставьте на 1 час.
- 4- Очистите и удалите накипь с помощью щётки, поставляемой с продуктом.
- 5- Промойте весь отсек прохладной водопроводной водой.
- (Важно! Убедитесь, что вода не поступает в отверстие для выхода воздуха).
- 6- Ваш аппарат теперь готов для использования.

ВНИМАНИЕ! Хранить в недоступном для детей месте - вредно при проглатывании - Вызывает раздражение глаз и кожи.

ПЕРВАЯ ДОВРАЧЕБНАЯ ПОМОЩЬ :

ПРИ ПОПАДАНИИ В ГЛАЗА: немедленно промыть водой в течение не менее 15 минут и обратиться к врачу.

ПРИ ПОПАДАНИИ НА КОЖУ: немедленно промыть водой и мылом.

ПРИ ПОПАДАНИИ ВНУТРЬ: выпить достаточно воды, чтобы выплюнуть; может вызвать расстройство желудка - Обратиться к врачу.

ИНГРЕДИЕНТЫ: Лимонная кислота > 99%

Вы также можете использовать набор для устранения накипи KRUPS, доступный как аксессуар: F054 (F054001). Обратите внимание, что для удаления накипи с устройства нужно только 20 граммов порошка.

ХРАНЕНИЕ

Если вы не пользуетесь прибором, поставьте его в сухое место. Не забудьте опорожнить резервуар для воды и высушить его, прежде чем убирать прибор на хранение.

В СЛУЧАЕ ВОЗНИКНОВЕНИЯ ПРОБЛЕМЫ

Никогда не разбирайте прибор самостоятельно. Неправильно отремонтированный прибор может представлять опасность для пользователя.

Прежде чем обратиться в авторизованный центр сервисного обслуживания, убедитесь в том, что прибор стоит в нормальном рабочем положении и что решетки входа и выхода воздуха свободны.

НЕИСПРАВНОСТЬ	Возможная причина	Что делать?
Прибор не работает при включении.	Целевой уровень влажности достигнут.	Увеличьте целевой уровень влажности в РЕЖИМЕ КОНТРОЛЯ или выберите НЕПРЕРЫВНЫЙ РЕЖИМ.
	Индикатор уровня воды мигает.	Наполните резервуар водой.
	Резервуар для воды не установлен правильно.	Проверьте положение резервуара на базе.
	Устройство находится не на плоской поверхности.	Проверьте расположение устройства (наклон).
	Необходимый уровень воды еще не достигнут в испарительной камере.	Подождите по крайней мере 20 секунд.
	Относительная влажность в помещении превышает 90%.	Подождите, пока относительная влажность в помещении не опустится ниже 80%.
Интенсивность увлажнения слишком слабая.	В помещении действует естественная или искусственная смена воздуха, что препятствует увеличению процента относительной влажности.	Убедитесь в том, что двери и окна закрыты. Убедитесь в том, что в помещении нет кондиционирования воздуха.
	Воздухозаборные решетки и сопло могут забиться.	Удалите все элементы, блокирующие решетки и сопло.
	На базе или на пьезоэлектрическом элементе слишком много накипи	Промывайте базу водой в соответствии с инструкцией по уходу.
	Выбранная влажность слишком низкая.	Увеличьте скорость распыления в РЕЖИМЕ КОНТРОЛЯ. Увеличьте настройку влажности в РЕЖИМЕ КОНТРОЛЯ.
Влажность воздуха слишком высокая.	Устройство работает в НЕПРЕРЫВНОМ РЕЖИМЕ.	Измените режим.
	Целевой уровень влажности слишком высокий.	Выберите более низкий целевой процент относительной влажности.
В помещении есть конденсат.	Температура в помещении слишком низкая.	Обогрейте помещение.
Прибор слишком шумный.	Прибор стоит на неровной поверхности	Установите прибор на ровной поверхности
	В резервуаре для воды может быть резонанс из-за низкого уровня воды.	Наполните резервуар водой

Выпуск пара внезапно прекращается.	Время работы, запрограммированное с помощью таймера, истекло.	Включите устройство.
	Индикатор уровня воды мигает.	Наполните резервуар водой
	Целевой уровень влажности достигнут.	
Функция теплого пара не производит теплую влагу.	Прибор нагревается.	Подождите несколько минут до окончания этой фазы.
	Пар слишком мелкий для того, чтобы почувствовать тепло.	Увеличьте уровень скорости.
	Температура окружающей среды слишком низкая, и пар может охлаждаться слишком быстро.	Увеличьте уровень скорости и обогрейте помещение.
Устройство не работает, и на экране ничего не отображается.	В приборе нет напряжения.	Вставьте вилку в розетку сети питания.
Воспроизводимый пар имеет необычный запах.	Это первое использование устройства.	Запах исчезнет после нескольких минут использования.
	Используемая вода грязная или застаивается слишком долго в резервуаре для воды или на базе.	Промывайте резервуар для воды и базу в соответствии с инструкцией по уходу.
Пар выходит по периметру сопла.	Есть отверстия между соплом, крышкой и резервуаром для воды.	Установите на место крышку и убедитесь, что сопло правильно присоединено к крышке.

ВНЕСЕМ ВКЛАД В ОХРАНУ ОКРУЖАЮЩЕЙ СРЕДЫ!



Ваше устройство состоит из большого количества материалов, которые могут быть восстановлены или подлежать повторному использованию.

Отнесите устройство для утилизации в пункт приема бытовых отходов или, за неимением такового, в авторизованный сервисный центр.

Это устройство содержит батарейки: помогите нам защитить окружающую среду, не выбрасывая использованные батарейки.

Вместо этого отнесите их в специализированный пункт сбора. Не выбрасывайте их вместе с бытовыми отходами.

Эти инструкции также приведены на нашем веб-сайте по адресу www.tefal.com.

Это руководство по эксплуатации можно загрузить в Интернете.

Ауаның шамадан тыс құрғақтығы жұқпалардың тарауына және тыныс жолдары ауруларының дамуына жағдай жасайды, сондай-ақ тері, шырышты қабықтың құрғақтығына әкелуі, өсімдіктің құрғауының және жиһаздың кебуінің себебі болуы мүмкін.

Дымқылдаушы үй-жайдағы ауаны су буымен тиімді қанықтыруға мүмкіндік береді.

Ауадағы ылғал мөлшері салыстырмалы ылғалдылық түсінігінің көмегімен бағаланады (RH). Салыстырмалы ылғалдылық бұл – ауадағы бар бу мөлшері және белгіленген температурада қоршаған ортада конденсат жасамай болуы мүмкін ауаның максималды мөлшері арасындағы пайыздық қатынас.

Дымқылдаушы ылғалдандырудың екі өзара толықтырылатын жүйесін қолданады:

- Салқын бу: керамикалық дискі ультрадыбыстық діріл шығарады, оның нәтижесінде судың ұсақ тамшылары пайда болады.
- Ол ауадағы ылғал мөлшерін автоматты түрде арттыруға және электрондық гигростат көмегімен ауадағы салыстырмалы ылғалдылық көрсеткішін дәл бақылауға мүмкіндік береді.

ҚОЛДАНУ ОРНЫ

Дымқылдаушыны қысқы маусымда қолдану қадала ұсынылады, бірақ оны жылдың кез келген басқа маусымында үйде қолдану артық болмайды.

Алдымен дымқылдаушыны ол айтарлықтай қажетті бөлмеге орналастырыңыз. Дымқылдаушы алаңы 53,6 м² бөлмеге есептелген.

ҚҰРЫЛҒЫ СИПАТТАМАСЫ (1-СХЕМА)

- | | |
|---|--|
| 1. Құрылғы корпусы | 10. Экран |
| 2. Суға арналған сұйыққойманы бұғаттау жүйесі | 11. Температура мен ылғал қадағалары |
| 3. Суға арналған сұйыққойма | 12. Суға арналған сұйыққойманың көмескі жарығы |
| 4. Бұрылатын қаптама | 13. Керамикалық дискі |
| 5. Жоғарғы қақпақ | 14. Қыздырғыш элемент |
| 6. Сұйыққойманы тасымалдауға арналған тұтқа | 15. Су деңгейі қадағасы |
| 7. Сұйыққойма тығыны | 16. Ауа үрлегіштен ауаның шығуы |
| 8. Тазартқыш қылшақ | |
| 9. Сенсорлық панель | |

БАСҚАРУ ТАҚТАСЫНЫҢ СИПАТТАМАСЫ (2-СХЕМА)

Басқару панелі

- A. On/Off батырмасы
- B. Ұлғалдылықтың 3 тәртібін таңдау батырмасы: Авто жайлылық – Бақылау – Үздіксіз
- C. Бу қарқындылығын таңдау батырмасы (мин/макс): 3 жылдамдық
- D. Таймер батырмасы (TIMER)
- E. Ыстық бу батырмасы
- F. Түнгі тәртіп батырмасы (NIGHT): сұйыққойманың көмескі жарығы мен дыбыс сигналдарын ажырату батырмасы

Сандық экран

- G. Таймер: 1 бастап 12 сағатқа дейін
- H. Бөлмедегі температура индикаторы °C
- I. AUTO = АВТО ЖАЙЛЫЛЫҚ тәртібі
- J. Co = ҮЗДІКСІЗ тәртібі
- K. Салыстырмалы ылғалдылықтың талап етілетін деңгейі RH %-да
- L. Бу қарқындылығы (булану жылдамдығы)
- M. Ыстық бу (қызыл жарық индикаторы)
- N. Судың төмен деңгейінің индикаторы (қызыл жарық индикаторы)

НАЗАР АУДАРЫҢЫЗ

Осы пайдалану жөніндегі нұсқауды мұқият оқыған және төменде келтірілген ұсынымдарды орындаған маңызды:

- Құрылғы дене, сенсорлық немесе ақыл-ой мүмкіндіктері шектелген тұлғаларға (оның ішінде балаларға), сондай-ақ жеткілікті тәжірибесі мен қажетті білімі жоқ тұлғалардың пайдалануына тағайындалмаған. Олар осы құрылғыны олардың қауіпсіздігі үшін жауап беретін тұлғалар бақылауымен немесе оны пайдалану бойынша алдын ала нұсқаулықтарды алғаннан кейін ғана қолдана алады.
- Құрылғыны 8 жастан асқан немесе дене, сенсорлық немесе ақыл-ой мүмкіндіктері шектелген тұлғаларға (оның ішінде балаларға), сондай-ақ жеткілікті тәжірибесі мен қажетті білімі жоқ тұлғалар, олар бұны бақылаумен жасап отырса, не олар құрылғыны қауіпсіз қолдануға қатысты алдын ала нұсқаулықтар алса, сондай-ақ ықтимал тәуекелдер жойылса, пайдалана алады.
- Балалардың құрылғымен ойнамауын қадағалаңыз.
- Құрылғыны тазалау және күту ересектер қарауымен ғана жүзеге асырылады.
- ЕШБІР ЖАҒДАЙДА ҚҰРАЛ КОРПУСЫН, ҚҰАТ БЕРУ СЫМЫН НЕМЕСЕ АШАСЫН СУҒА НЕМЕСЕ КЕЗ КЕЛГЕН БАСҚА СҰЙЫҚТЫҚҚА САЛМАҢЫЗ.
- Құрылғының төменгі жағында орналасқан ауа жинағыш торларды ешқашан бұғаттамаңыз.
- СУМЕН ТОЛТЫРУ, ТАЗАЛАУ АЛДЫНДА НЕМЕСЕ ОРНЫН АУЫСТЫРҒАН КЕЗДЕ ҚҰРЫЛҒЫНЫ СӨНДІРІҢІЗ НЕМЕСЕ ОНЫ ЭЛЕКТР ЖЕЛІСІНЕН АЖЫРАТЫҢЫЗ.
- ТОЗАҢДАТУ АРНАСЫНА НЕМЕСЕ СУҒА АРНАЛҒАН СҰЙЫҚҚОЙМАҒА ЭФИР МАЙЛАРЫН НЕМЕСЕ БАСҚА ҚОСПАЛАРДЫ ҚОСПАҢЫЗ.
- НАЗАР АУДАРЫҢЫЗ: суға арналған сұйыққойманы жүйелі емес немесе тиісті емес тазалаған кезде, оның ішінде кейін ауаға түсетін микроағзалар дамуы мүмкін. (КҮТІМ ЖАСАУ тарауын қараңыз).


АСА МАҢЫЗДЫ

- Бұл құрылғы тек үйде ғана қолданылуға арналған. Демек, ол өнеркәсіптік мақсаттарға тағайындалмаған.
- Құралды теріс пайдалану салдарынан болған зақымданулар пайда болған жағдайда, оның кепілдігі жойылады.
- Құралды шаңдатылған үй-жайда немесе өрттенудің пайда болу тәуекелі бар үй-жайда қоспаңыз.
- Әрбір қолданар алдында құрылғының, электр ашасының және қуат беру сымның жалпы күйін тексеріңіз.
- Бөтен заттарды (мысалы: инелерді және т.б.) құралдың ішіне ешқашан орналастырмаңыз.
- Егер қуат беру сымы зақымдалса, жазатайым оқиғаларға жол бермеу үшін өндірушіге, сервистік қызметке немесе білікті маманға жүгініп, оны ауыстырған жөн.
- Құралды балалардың қолы жетпейтін жерде сақтаңыз.
- Ашаны қабырға үстіндегі розеткадан алу үшін қуат беру кабелінен немесе құрылғының өзінен тарпаңыз.
- Құралды әрбір қолданған сайын қуат беру сымынан толық жазыңыз.
- Құралды кәдеге жаратқан кезде майды және салқындатқыш агентті кетіруге жататын нормативтік талаптарды сақтау қажет.
- Құрылғыны үй-жайдан тыс қолданбаңыз.
- Құрал еліңіздің аумағында әрекет ететін нормаларға сәйкес орнатылуы тиіс.
- Құрал электр желісіне қосу кезінде толық жиналған күйінде болуы тиіс.
- Құрал көлбеу немесе жатқан күйде болса, оны ешқашан қолданбаңыз.

- Құралды тегіс тұрақты, ылғалдан қорықпайтын бетке орнатыңыз.
 - Дымқылдаушыны ағаш жиһазға, аудиоаппаратураға, теледидарға немесе кез келген басқа электр құрылғыға қоймаңыз.
 - Тек ауыз суды ғана қолданыңыз. Сұйыққоймада бір апталық пайдаланудан соң су қалатын болса, ондағы суды аптасына бір реттен кем емес ауыстыру ұсынылады.
 - Құралды жаппаңыз.
 - Құрылғыны қаптамасыз қолданбаңыз.
 - Құралға су қолыңызды тигізбеңіз.
 - Құралдың орнын қосылған күйде ауыстырмаңыз.
 - Тозандату арнасына суды қоспаңыз. Бұл қотарылуға әкелуі мүмкін.
 - Құралды жанғыш заттектер мен заттарға (перделер, аэрозольдер, еріткіштер және т.б.) тікелей жақын қолданбаңыз.
 - Егер құрал қолданылмаса, сұйыққоймада ешқашан суды қалдырмаңыз.
 - Әрбір қолданған сайын сұйыққоймадағы суды ауыстырыңыз.
 - Ылғалдылықтың жоғары деңгейі қоршаған ортадағы микроағзалардың өсуіне әкелетінін есте сақтаңыз.
 - Кілемді жабындар, кілемдер, дастархандар және т.б. секілді сіңіруші материалдардың ылғалданылуына немесе сулануына жол бермеңіз.
 - Сіз ұзақ болмаған жағдайда: құралды сөндіру, оны желіден ажырату, суға арналған сұйыққойманы және тозандату бөлігін босату, құралды тазалау және оның құрғауын күту маңызды.
 - Сақтауға жіберер алдында дымқылдаушыны босатыңыз да, тазалаңыз. Дымқылдаушыны былайша тазалаңыз.
 - Суға арналған сұйыққойманы тазалаңыз. Жүйелі түрде тазалауды орындау ұсынылады, шамамен аптасына бір рет (пайдалану қарқындылығына байланысты).
- КҮТІМ ЖАСАУ тарауын қараңыз.**
- **НАЗАР АУДАРЫҢЫЗ:** суға арналған сұйыққойманы жүйелі емес немесе тиісті емес тазалаған кезде, оның ішінде кейін ауаға түсетін микроағзалар дамуы мүмкін. (КҮТІМ ЖАСАУ тарауын қараңыз).
 - Дымқылдаушының жұмыс істеуі аймағында заттардың ылғалдануы немесе сулануының артуына жол бермеңіз. Егер бұл орын алса ылғалдану жылдамдығын арттырыңыз. Егер ылғалдандыру жылдамдығын азайтуға мүмкіндік болмаса, құралды уақытша қосу тәртібінде қолданыңыз.

ҚҰРАЛДЫ ҚОСУ (3–СХЕМА)

Алғашқы қолданар алдында желіңіздегі кернеудің құралда көрсетілген кернеуге сәйкес келетініне көз жеткізіңіз.

Құралды розеткаға жерге тәйықтаусыз қосуға болады. Осы құрал II сыныбына жатады (қос электрлік оқшаулау ).

Құралды қосар алдында:

- құралды орнатудың осы нұсқауда көрсетілген ережелердің сақталуына,
- құралдың бірқалыпты тұрақты жазық, ылғалдан қорықпайтын бетте орнатылғанына, кез келген заттардан 20 см қашықтықта орнатылғанына,
- құрылғын төменгі жағында орналасқан аспирациялық торлар бұғатталмағанына көз жеткізіңіз.

Пайдалануға енгізу:

1. Жоғарғы қақпақты алып тастаңыз (5).
2. Корпус пен суға арналған сұйыққойма арасында орналасқан сақтандырғыш ысырманы айналым ширегіне жоғары бұраңыз (2) да, суға арналған сұйыққойманы оны тасымайдау үшін тұтқасынан көтеріңіз (6).
3. Сұйыққойма тығынын бұра алыңыз (7).
4. Сұйыққойманы тазартыңыз да (ТАЗАЛАУ тарауын қараңыз) оны суық сумен толтырыңыз (1,89 литрден кем емес және 5,86 литрден артық емес)
5. Тығынды бұраңыз да, судың ағып кетуінің болмауын тексеріңіз.

ЕСКЕРТУ: Біз ақ шаңның пайда болуына жол бермеу үшін қатты емес суды қолдануды ұсынамыз; сіз құбыр суын немесе бөтелкеленген суды қолдана аласыз. Бұл ретте сұйыққойманы әрқашан суық сумен толтыру қажет.

6. Құрал корпусы таза және құрамында бөтен заттардың жоқ екеніне көз жеткізіңіз.
7. Су деңгейі қадағасының бұғатталмағанына көз жеткізіңіз.
8. Сұйыққойманы корпусқа орнатыңыз.

НАЗАР АУДАРЫҢЫЗ: СУҒА АРНАЛҒАН СҰЙЫҚҚОЙМА КОРПУСҚА СЕНІМДІ БЕКІТІЛГЕНІНЕ КӨЗ ЖЕТКІЗІҢІЗ.

9. Корпус пен суға арналған сұйыққойма арасында орналасқан сақтандырғыш ысырманы айналым ширегіне төмен бұраңыз (2) да, суға арналған сұйыққойманы оны корпусқа бекітіңіз.
10. Шығыс қаптаманы бұ кедергісіз шыққандау етіп орнатыңыз. Олай болмаған жағдайда ылғалдықты реттеу дәл болмауы мүмкін.
11. **Су булану бөлігін** толтырғанша дейін 40 секунд күтіңіз.
12. Аспапты желіге қосыңыз.
13. Аспапты қосыңыз. Құрал экраны жанады да, дымқылдаушы АВТО ЖАЙЛЫЛЫҚ тәртібінде жұмыс істей бастайды.

ЖҰМЫС ІСТЕУІ

Осы құралдың 3 тәртібі (АВТО ЖАЙЛЫЛЫҚ, БАҚЫЛАУ, ҮЗДІКСІЗ), сондай-ақ әртүрлі қосымша қызметтері бар.

«ON/STAND-BY»:

Қосу/Күту тәртібі (Сөндіру); А батырмасы.

Құралды қосу немесе оны күту тәртібіне ауыстыру үшін (А) батырманы басыңыз.

Сандық экран жанады да, дымқылдаушы АВТО тәртібінде жұмыс істей бастайды.

ЖҰМЫСТЫҢ ИНТЕЛЛЕКТУАЛДЫҚ ТӘРТІБІ:

В батырмасының көмегімен жұмыс тәртіптерін таңдау. В батырмасын басып, үш тәртіптердің біреуін таңдаңыз.

1 – АВТО ЖАЙЛЫЛЫҚ ТӘРТІБІ:

Құрылғы үйде барынша жоғары жайлылықты қамтамасыз ету үшін, бар температура жағдайында ылғалдылықтың оңтайлы деңгейін автоматты қолдайды.

Осы атқарым қоршаған ауа температурасын ескереді де, сіз орналасқан бөлмеде барынша жоғары жайлылықты қамтамасыз ету үшін, ылғалдылықтың оңтайлы деңгейін есептейді.

Егер бөлмедегі ылғалдылық деңгейі бағдарламамен белгіленгеннен аз болса, құрал барынша жоғары жылдамдықпен жұмыс жасайды. Құрал бөлмедегі ылғалдылықты талап етілген деңгейіне жеткеннен кейін ажыратылады да, ылғалдылық бағдарламамен анықталған мәннен төмен түскен кезде, қайта қосылады.

Бөлмедегі ылғалдылық пен температураны өлшеу әр 60 секунд сайын жүргізіледі.

Температура	≤19 °C	20–21°C	22–23°C	24–25°C	26–27°C	28–29°C	30–32°C	33–36°C	≥37°C
Талап етілетін ылғалдылық %RH	65 %	60 %	55 %	50 %	45 %	40 %	35 %	30 %	25 %

АВТО ЖАЙЛЫЛЫҚ тәртібінде сіз ыстық бу атқарымын таңдай аласыз.

2 – БАҚЫЛАУ ТӘРТІБІ:

● **Ылғалдылық деңгейі: ылғалдылықтың талап етілетін деңгейін реттеу үшін В батырмасы;**

В батырмасын бірнеше рет басып, ылғалдылықтың қажетті деңгейін таңдаңыз.

Ылғалдылықтың көрсетілетін деңгейі сіз таңдап алған мәнге сәйкес келеді (45 % бастап 90 % дейінгі диапазонда RH). БАҚЫЛАУ тәртібінде сіз ыстық бу атқарымын таңдай аласыз.

● **Бу қарқындылығы: С батырмасы**

С батырмасын бірнеше рет басып, будың талап етілетін қарқындылығын таңдаңыз. Үш жылдамдық қарастырылған. Ылғалдылықтың талап етілетін деңгейіне жылдам қол жеткізу үшін, будың шығу қарқындылығын теңшей аласыз.

ЕСКЕРТУ: Осы атқарымды АВТО ЖАЙЛЫЛЫҚ тәртібінде қолдануға болмайды.

3 – ҮЗДІКСІЗ ТӘРТІП:

Сандық экранда үздіксіз тәртіпке сәйкес келетін «Со» белгіленуі пайда болғанша дейін В батырмасын басыңыз. Құрал салыстырмалы ылғалдың 90 %-на жеткенше дейін (қауіпсіз деңгей) немесе сұйыққоймадан барлық су буланғанша дейін жұмыс істейтін болады. Бу тұрақты түрде өндіріледі және сіз оның қарқындылығын реттей аласыз.

Ылғалдылық деңгейі 90 %-дан асқан кезде автоматты түрде ажыратылады және осы мән 80 % -ға дейін төмендесе, қайта қосылады.

НАЗАР АУДАРЫҢЫЗ: құрал үздіксіз тәртіпте жұмыс жасаған кезде үй-жайдағы ауа ылғалдығының деңгейі өте жоғары мәндерге жетуі мүмкін, бұл сіздің денсаулығыңызға жағымсыз әсерін тигізіп, кейбір заттардың бүлінуіне әкелуі мүмкін. Ауаның салыстырмалы ылғалдылығының оңтайлы ұсынылатын мәні 50–60 %-ды құрайды.

● **Бу қарқындылығы: С батырмасы**

С батырмасын бірнеше рет басып, будың талап етілетін қарқындылығын таңдаңыз. Үш жылдамдық қарастырылған.

ҚОСЫМША АТҚАРЫМДАР:

● **ТАЙМЕР: D батырмасы құралды автоматты тоқтатуды бағдарламалау үшін пайдаланылады.**

D батырмасын басып, құрал жұмыс істеуі тиіс сағат санын таңдаңыз (1 сағаттан бастап 12 сағатқа дейін). Осы уақыт өткеннен кейін дымқылдаушыны автоматты тоқтату орын алады.

Экранда қалған уақыт көрсетіледі. Сіз кез келген уақытта таймерды орнатуды өзгерте аласыз және D батырмасын басып жұмыс уақытын 12 сағатқа дейін арттыра аласыз.

● **E батырмасы ЫСТЫҚ БУ қызметі : ыстық бу бактерияға қарсы және турбо әсерін береді:**

Ыстық бу атқарым іске қосу немесе тоқтату үшін E батырмасын басыңыз. Экранда қызыл белгі пайда болады немесе жоғалады. Бу 10 минут қолданылғаннан кейін ыстық болады.

Бактерияға қарсы әсерге ыстық бу тәртібінде 30 минут қолданылғаннан кейін қол жеткізіледі. Ол құрал корпусындағы зиянды микроағзалармен* күресуге көмектеседі. Сондай-ақ, осы атқарым жұмыстың басқа тәртіптерін толықтырады да, ылғалдандыру қарқындылығын 20 %-ға арттыруға мүмкіндік береді. Үй-жайдағы ылғалдылық деңгейі түскен кезде, ыстық бу атқарымы қайта қосылады (экранда қызыл белгі жанады).

* Құрылғы корпусындағы микробтармен күреседі, белгілі бактериялардың 30 %-н құрайтын *Escherichia Coli* и *Staphylococcus Aureus* бактерияларының 91 %-на дейін жояды. Қолданудың қалыпты жағдайларында ыстық бу тәртібінде жұмыс жасағаннан кейін 30 минуттан соң әсерге қол жеткізіледі. Тәуелсіз зертханамен жүргізілген зерттеулер.

● **TYHП тәртіп: сұйыққойманың көмескі жарығын және дыбыстық сигналдарды қосу/сөндіру: F батырмасы.**

Осы атқарымды қосу немесе сөндіру үшін F батырмасын басыңыз.

Осы атқарым суға арналған сұйыққойманың көмескі жарығы мен сенсорлық батырмаларды басу сигналдарын ажыратуға көмектеседі.

ЕСКЕРТУ: Түнгі тәртіп қосылған жағдайда сұйыққоймада судың болмауы туралы сигнал іске қосылмайды. Бос сұйыққойма туралы жыпылықтап тұрған N жарық индикаторы ғана сигнал береді.

● **БАСҚАРУ ПУЛЬТТЕРІ БАР ҚҰРАЛДАР (HD523x):**

Басқару пульті үшін қуат берудің жиынтыққа кірмейтін шағын элементтері қолданылады 1 x 3 В (CR2025).

Қуат беру элементтерін оларды орнату бойынша бөлімде көрсетілгендей, қарама-қарсылықты сақтай отырып, қарастырылған бөлімге орнатыңыз.

Маңызды: егер құрал қолданылмайтын болса, оны сөндіру және электр қуат беру желісінен ажырату қажет. Құралды ұзақ сақтаған жағдайда басқару пультінен қуат беру элементтерін алып шығыңыз.

● **БОС СҰЙЫҚҚОЙМА ИНДИКАТОРЫ: N қызыл жарық индикаторы және дыбыс индикаторы**

Егер сұйыққоймадағы су деңгейі тым төмен болса, сондай-ақ сұйыққойманы көтеру кезінде үш дыбыстық сигнал беріледі, ал экранда қызыл белгі жыпылықтай бастаса (N). Егер суды 15 минут ішінде аяғына дейін құймаса немесе ауыстырмаса, құралдың автоматты сөнуі орын алады. Сұйыққойманы толтырыңыз да, оны корпусқа орнатыңыз, осыдан кейін құрал жұмысын жалғастырады.

КҮТІМ ЖАСАУ

МАҢЫЗДЫ: құралдардың осы түрі жүйелі және мұқият күтімді талап етеді. Су тұрып қалуы мүмкін барлық дымқылдаушылар үшін секілді, бактериялардың дамуына жол бермеу мақсатында, толық тазалауды аптасына бір рет (қолдану қарқындылығына байланысты) жүргізуді ұсынамыз. Құрал күзімі бойынша кез келген операцияларды жүргізер алдында оны міндетті түрде қосу және электр қуат беру желісінен ажырату қажет.

Ешбір жағдайларда құрал корпусын ауа тартқышқа судың тиюі тәуекеліне жол бермеу үшін оны кран астында жуып-шаймаңыз.

Суға арналған сұйыққойма, булану аймағын (пъезэлектрлік дискі айналасында) және құралдың төменгі жағында орналасқан аспирациялық торларды жүйелі түрде тазалаңыз.

Құрал корпусын, қуат беруші сымды және ашаны ешқашан суға немесе басқа сұйықтықтарға батырмаңыз. Біз салқын қайнаған суды немесе тазартылған суды қолдануды ұсынамыз.

● **Сұйыққойманы тазарту:**

1- Суға арналған сұйыққойманы су ерітіндісімен тазалаңыз, мұқият шайыңыз да, жұмсақ құрғақ шүберекпен сүртіңіз.

2– Сұйыққойманы ішінен тазалау үшін оған су құйыңыз да, жігермен сілкіңіз.

Суды төгіңіз де, жұмсақ құрғақ шүберекпен сүртіңіз.

3– Ұзақ уақытқа сақтауға жіберер алдында құралдан суды төккеніңізге және оны құрғатып сүрткеніңізге көз жеткізіңіз.

● **Тозаңдату аймағын (пьезоэлектрлік тілімше айналасында 13), қыздырғыш элемент пен керамикалық дискіні тазалау**

Жүйелі түрде (үш күнде бір рет) құрал корпусын жылы сумен шайыңыз да, жұмсақ және құрғақ шүберекпен сүртіңіз. МАҢЫЗДЫ: судың ауа үрлегіштен ауаның шығысына тимегеніне көз жеткізіңіз (16).

Пьезоэлектрлік дискіні және қыздырғыш элементті жүйелі түрде тазалау шөгіндінің пайда болуына жол бермеуге көмектеседі.

Тазалауға арналған қатты құрылғыларды немесе абразивті құралдарды қолданбаңыз, жиынтықта жеткізілетін қылшақты ғана пайдаланыңыз.

Әк шөгіндісі пайда болған кезде «NETTOYANT ET DÉTARTRANT FOURNI AVEC L'APPAREIL» тарауын қараңыз.

МАҢЫЗДЫ: Өнімділіктің тұрақты деңгейін қамтамасыз ету үшін біз әк шөгіндісі пайда болуының алғашқы белгілері кезінде керамикалық дискі мен қыздырғыш элементті тазартуды ұсынамыз.

МАҢЫЗДЫ: Абразивті тазартқыш құралдарды қолданбаңыз, өйткені олар құрылғының сыртқы түрін бүлдіруі мүмкін. Тазарту үшін ылғалды шүберек пен жиынтыққа кіретін қылшақты қолдану ұсынылады.

Кез келген сұрақтар пайда болған кезде құрылғы жиынтығына кіретін TEFAL халықаралық кепілдік картасына жүгініңіз. Сіз онда сервистік қызмет көрсету орталығының байланыс жасау деректерін табасыз.

ЫЛҒАЛДАНДЫРҒЫШҚА АРНАЛҒАН ТАЗАЛАҒЫШ ҚҰРАЛ ЖӘНЕ ҚАҒЫН КЕТІРУГЕ АРНАЛҒАН ҚҰРАЛ ЖИЫНТЫҚҚА КІРЕДІ

Пайдаланушы басшылығы :

1– Құралды желіден ажыратыңыз және суға арналған сұйыққойманы шығарыңыз

2– Табақшада 0,6 л жылы суда 2 қалташа ұнтақты ерітіңіз.

Ұнтақ толығымен ерігенше араластырыңыз.

3– Ерітіндіні құрал түпқоймасына құйып, оның әсер етуі үшін 1 сағатқа қалдырыңыз.

4– Өнім жинағында берілген қылшақпен қағын кетіріңіз және тазалаңыз.

5– Бөлікті толықтай салқын құбыр суымен жуып шығыңыз.

(Маңызды! Судың ауаның шығу саңылауынан ақпайтындығына көз жеткізіңіз).

6– Сіздің құралыңыз қолданылу үшін дайын болды.

НАЗАР АУДАРЫҢЫЗ! Балалардың қолы жетпейтін жерде сақтаңыз – жұту үшін зиян – Көзді немесе теріні тітіркендіреді.

АЛҒАШҚЫ ДӘРІГЕРГЕ ДЕЙІНГІ КӨМЕК :

КӨЗГЕ ТИГЕН ЖАҒДАЙДА: 15 минуттан кем емес уақыт ішінде сумен шайып, дәрігерге хабарласқан жөн.

ТЕРІГЕ ТИГЕН ЖАҒДАЙДА: дереу сумен және сабынмен жуу қажет.

ІШІП ҚОЙҒАН ЖАҒДАЙДА: тукіріп шығарып тастау үшін судың қажетті мөлшерін ішу керек; асқазанның бұзылуына әкелуі мүмкін

– Дәрігерге хабарласыңыз.

ҚҰРАМЫ: Лимон қышқылы > 99%

Сондай-ақ, сіз жеке сатылатын KRUPS–тың ANTICALC жиынтығын қолдана аласыз F054 (F054001).

Құралды әк шөгіндісінен тазарту үшін ұнтақтың не бары 20 граммы қажет екеніне назар аударыңыз.

САҚТАУ

Егер сіз құралды қолданбасаңыз, оны құрғақ жерге қойыңыз. Суға арналған сұйыққойманы босатуды және оны сақтауға жинамас бұрын құрғатып сүртуді ұмытпаңыз.

ЖАРАМСЫЗДЫҚТАР ПАЙДА БОЛҒАН ЖАҒДАЙДА

Құралды ешқашан өз бетіңіше бөлшектемеңіз. Теріс жөнделген құрал пайдаланушы үшін қауіп төндіруі мүмкін.

Сервистік қызмет көрсету орталығына жүгінер алдында, құрал стандартты жұмыс күйінде тұрғанына және аспирациялық тор мен ауаның шығу торының бұғатталмағанына көз жеткізіңіз.

ЖАРАМСЫЗДЫҚ СИПАТТАМАСЫ	Ықтимал себебі	Жоюдың ықимал себептері
Құрал қосқан кезде жұмыс істемейді.	Ылғалдылықтың белгіленген деңгейіне қол жеткізілді.	Белгіленген деңгейді БАҚЫЛАУ тәртібінде арттырыңыз немесе ҮЗДІКСІЗ тәртібін таңдаңыз.
	Су деңгейінің индикаторы жыпылықтайды.	Суға арналған сұйыққойманы толтырыңыз.
	Суға арналған сұйыққойма теріс орнатылған.	Сүзгілерді корпусқа орнату дұрыстығын тексеріңіз.
	Құрал тегіс емес бетке орнатылған.	Құралды орнатуды тексеріңіз (еңіс).
	Буландыру бөліміндегі су деңгейі әлі талап етілетін белгіге дейін жеткен жоқ.	20 секундтан кем емес уақыт күтіңіз.
	Үй-жайдағы ауаның салыстырмалы ылғалдылығы 90 %-дан жоғары.	Үй-жайдағы салыстырмалы ылғалдылықтың 80 %-дан төмен белгіге дейін түсін күтіңіз.
Ылғалдандыру қарқыны тым әлсіз.	Үй-жайда ауа ылғалдылығына қатысты артуға кедергі болатын ауаның табиғи немесе жасанды алмасуы орын алады.	Терезелер мен есіктердің жабық болуын тексеріңіз. Бөлмеде жұмыс істейтін салқындатқыштың болуын тексеріңіз.
	Мүмкін, аспирациялық торлар немесе қаптама бұғатталған.	Тор мен қаптаманы бұғаттайтын заттарды жойыңыз.
	Корпус ішінде немесе пьезоэлектрлік элементте әк шөгінділерінің тым үлкен саны.	Құрал корпусын күту жөніндегі нұсқауға сәйкес тазалаңыз.
	Ылғалдылықтың тым төмен деңгейі таңдап алынды.	БАҚЫЛАУ тәртібінде булану жылдамдығын арттырыңыз. БАҚЫЛАУ тәртібінде ылғалдылықты теңшеуді арттырыңыз.
Үй-жайдағы ылғалдылық деңгейі тым жоғары.	Құрал ҮЗДІКСІЗ тәртіпте жұмыс істейді.	Жұмыс тәртібін өзгертіңіз.
	Ылғалдылықтың белгіленген деңгейі тым жоғары.	Ауаның салыстырмалы ылғалдылығының ең аз % таңдаңыз.
Үй-жайда конденсат бар.	Үй-жайдағы температура тым төмен.	Үй-жайдағы температураны арттырыңыз.
Құрал тым шулы.	Құрылғы орнықсыз.	Құрылғыны тегіс және орнықты бетке қойыңыз.
	Шум сұйыққоймада судың төмен деңгейі салдарынан пайда болуы мүмкін.	Суға арналған сұйыққойманы толтырыңыз.

Бу кенет өндірілуін тоқтатады.	Құралдың бағдарламаланған жұмыс жасау кезеңі аяқталды.	Аспапты қосыңыз.
	Су деңгейінің индикаторы жыпылықтайды.	Суға арналған сұйыққойманы толтырыңыз.
	Ылғалдылықтың белгіленген деңгейіне қол жеткізілді.	
Ыстық бу атқарымы қосылған кезде құрал ыстық буды өндірмейді.	Құрал қыздыру үдерісінде.	Қыздыру аяқталғанша дейін бірнеше минут күтіңіз.
	Бу ағыны сіз жылуды сезетіндей, әлі сондай күшті емес.	Жұмыс жылдамдығын арттырыңыз.
	Үй-жайдағы температура тым төмен, соның салдарынан бу тым жылдам сууы мүмкін.	Жұмыс жылдамдығы мен бөлмедегі ауа температурасын арттырыңыз.
Құрал жұмыс істемейді және экранға ештеңе шықпайды.	Құрал электр желісіне қосылмаған.	Қуат беру сымының ашасын розеткаға қосыңыз.
Будың оғаш иісі бар.	Құрал алғаш рет пайдаланылып отыр.	Иіс құрал бірнеше минут жұмыс істегеннен кейін кетеді.
	Лас су немесе суға арналған сұйыққоймада немесе корпуста тым ұзақ болған лас су қолданылады.	Суға арналған сұйыққойманы күту жөніндегі нұсқауға сәйкес тазалаңыз.
Бу корпус периметрі бойынша шығады.	Корпус, қақпақ және суға арналған сұйыққойма арасында саңылау бар.	Қақпақ жайғасымын және қақпақтағы қаптаманы орнату дұрыстығын түзеңіз.

ҚОРШАҒАН ОРТАНЫ ҚОРҒАУ ІСІНЕ БІРЛЕСІП ҚАТЫСАЙЫҚ!



Құралдың қайта қолдануға болатын құнды материалдардың бір қатары бар. Құралды пайдаланудан шыққан техниканы құрастыру жөніндегі орталыққа немесе уәкілетті сервистік орталыққа тапсырыңыз.

Осы құралда қуат беру элементтері бар: бізге қоршаған ортаны қорғауға көмектесіңіз, қуат берудің пайдаланылған элементтерін лақтырмаңыз.

Жинау бойынша мамандандырылған орталыққа апарыңыз. Оларды тұрмыстық қоқыспен бірге лақтырмаңыз.

Сондай-ақ, осы нұсқаулықтар біздің www.tefal.com интернет-сайтымызда қол жетімді.
Осы пайдалану жөніндегі нұсқауды интернет желісінен жүктеуге болады.

Zbyt suche powietrze sprzyja infekcjom i chorobom dróg oddechowych, może wysuszać skórę, błony śluzowe, rośliny i meble.

Nawilżacz umożliwia skuteczne rozprowadzanie pary wodnej w powietrzu.

Wilgotność jest wyrażana jako wilgotność względna. Wilgotność względna jest odsetkiem wskazującym ilość pary obecnej w powietrzu w stosunku do maksymalnej ilości wody, jaką może zawierać powietrze w danej temperaturze bez powodowania kondensacji.

Wilgotność względną mierzy się za pomocą wilgotnościomierza.

ZASADA FUNKCJONOWANIA

Twój nawilżacz wykorzystuje dwa uzupełniające się systemy nawilżania:

- System na zimną parę: ceramiczny krążek drgający z częstotliwością ultradźwiękową i wytwarzający małe kropelki wody.
- W ten sposób można automatycznie zwiększyć stopień wilgotności powietrza i dokładnie kontrolować wilgotność względną dzięki elektronicznemu higrostatowi.

MIEJSCE INSTALACJI

Używanie nawilżacza zaleca się w szczególności zimą, lecz nie zwalnia to z konieczności regularnego wentrowania domu.

Najpierw należy umieścić nawilżacz w pomieszczeniu wymagającym priorytetowego działania. Nawilżacz jest dostosowany do pomieszczenia o powierzchni 53,6 m².

OPIS PRODUKTU (SCHEMAT 1)

- | | |
|--|--|
| 1. Podstawa urządzenia | 9. Dotykowy panel przedni |
| 2. System blokowania zbiornika na wodę | 10. Ekran |
| 3. Zbiornik na wodę | 11. Czujniki temperatury i wilgotności |
| 4. Ruchoma dysza | 12. Oświetlenie zbiornika na wodę |
| 5. Pokrywa górna | 13. Krążek ceramiczny |
| 6. Uchwyt do przenoszenia zbiornika | 14. Element grzejny |
| 7. Korek zbiornika | 15. Czujnik poziomu wody |
| 8. Szczotka do czyszczenia | 16. Wylot powietrza z wentylatora |

OPIS WYŚWIETLACZA (SCHEMAT 2)

Panel sterowania

- A. Przycisk „on/off”
- B. Przycisk „wybór 3 poziomów regulacji wilgotności”: Auto Komfort – Kontrola – Ciągły
- C. Przycisk „wybór natężenia mgiełki” (min/max): 3 poziomy prędkości
- D. Przycisk „minutnik” (TIMER)
- E. Przycisk „ciepła para”
- F. Przycisk „noc” (NIGHT): przycisk „bez oświetlenia zbiornika” i „bez sygnałów dźwiękowych”

Ekran cyfrowy

- G. Minutnik: 1 do 12 godzin
- H. Wskaźnik temperatury w pomieszczeniu w °C
- I. AUTO = tryb AUTO KOMFORT
- J. Co = tryb CIĄGŁY
- K. Docelowy wskaźnik wilgotności względnej w % wilgotności względnej
- L. Natężenie mgiełki (prędkość parowania)
- M. Para ciepła (czerwona lampka kontrolna)
- N. Wskaźnik niskiego poziomu wody (czerwona lampka kontrolna)

UWAGA

Należy uważnie przeczytać niniejszą instrukcję i stosować się do następujących zaleceń:

- Z niniejszego urządzenia nie powinny korzystać osoby (w tym dzieci) o ograniczonych możliwościach fizycznych, sensorycznych lub umysłowych oraz osoby nieposiadające odpowiedniego doświadczenia lub wiedzy, chyba że wykonują czynności pod nadzorem osoby odpowiedzialnej za ich bezpieczeństwo lub mogą uzyskać od niej instrukcje dotyczące obsługi urządzenia.
- Niniejsze urządzenie może być używane przez dzieci w wieku co najmniej 8 lat i osoby o ograniczonych możliwościach fizycznych, sensorycznych lub umysłowych lub osoby nieposiadające odpowiedniego doświadczenia bądź wiedzy pod warunkiem, że znajdują się one pod nadzorem lub otrzymały instrukcje dotyczące bezpiecznego używania urządzenia i rozumieją związane z tym niebezpieczeństwo.
- Należy dopilnować, aby dzieci nie wykorzystywały urządzenia do zabawy.
- Dzieci nie mogą zajmować się myciem i konserwacją urządzenia bez nadzoru.
- **NIE WKŁADAĆ URZĄDZENIA, PRZEWODU ZASILANIA LUB WTYCZKI DO WODY LUB INNYCH PŁYNÓW.**
- Nie zasłaniać kratki wlotu powietrza znajdujących się od spodu urządzenia.
- **PRZED NAPEŁNIENIEM ZBIORNIKA, CZYSZCZENIEM LUB PRZENOSZENIEM URZĄDZENIA WYŁĄCZYĆ URZĄDZENIE I ODŁĄCZYĆ JE OD ZASILANIA.**
- **NIE DODAWAĆ OLEJKÓW ETERYCZNYCH ANI INNYCH DODATKÓW DO PRZEWODU PAROWANIA LUB ZBIORNIKA NA WODĘ.**
- **UWAGA:** w przypadku braku regularnego i prawidłowego czyszczenia zbiornika na wodę mogą rozwinąć się w nim mikroorganizmy, które następnie zostaną rozproszone w powietrzu. (Zob. sekcja KONSERWACJA).

BARDZO WAŻNE

- Urządzenie jest przeznaczone wyłącznie do użytku domowego. Nie może więc być wykorzystywane do użytku przemysłowego.
- Gwarancja nie obejmuje ewentualnych szkód powstałych w wyniku nieprawidłowego używania urządzenia.
- Nie używać urządzenia w bardzo zakurzonej pomieszczeniu lub w miejscu zagrożonym wybuchem pożaru.
- Przed każdym użyciem należy sprawdzić, czy urządzenie, przewód zasilający i wtyczka są w dobrym stanie.
- Nigdy nie wkładać do urządzenia żadnych przedmiotów (np. igieł itp.).
- Jeśli przewód zasilający jest uszkodzony, musi być wymieniony przez producenta, jego serwis posprzedażny lub wykwalifikowaną osobę, aby uniknąć niebezpieczeństwa.
- Przechowywać urządzenie w miejscu niedostępnym dla dzieci.
- Nie ciągnąć za przewód ani za urządzenie, nawet jeśli chcemy odłączyć urządzenie z gniazdka.
- Przed każdym użyciem odwinąć cały przewód zasilający.
- Należy stosować przepisy dotyczące usuwania oleju i czynnika chłodzącego przy usuwaniu urządzenia.
- Nie używać urządzenia na zewnątrz.
- Urządzenie należy zainstalować zgodnie z przepisami obowiązującymi w kraju użytkownika.
- Przed podłączeniem urządzenia do przewodu głównego należy dopilnować jego całkowitego zmontowania.
- Nie używać urządzenia w pozycji innej niż pionowa.
- Umieścić urządzenie na płaskiej i stabilnej powierzchni poziomej. Nie należy obawiać się wilgoci. Ni umieszczać nawilżacza na drewnianych meblach, systemach dźwiękowych, telewizorach lub urządzeniach elektrycznych.
- Używać wyłącznie wody pitnej. Zaleca się wymianę wody w zbiorniku na wodę przynajmniej raz na tydzień, jeżeli woda stoi w zbiorniku ponad tydzień.
- Nie przykrywać urządzenia.

- Nie używać urządzenia bez dyszy.
- Nie dotykać urządzenia wilgotnymi rękami.
- Nie przenosić działającego urządzenia.
- Nie wlewać wody do przewodu parowania, może to powodować przepełnienie.
- Nie używać urządzenia w pobliżu przedmiotów i produktów łatwo palnych (zasłony, aerozole, rozpuszczalniki itp.).
- Ni zostawiać wody w zbiorniku, jeżeli urządzenie nie jest używane.
- Wlewać wodę do zbiornika przy każdym użyciu urządzenia.
- Należy mieć świadomość, że wysoki poziom wilgotności może powodować wzrost ilości organizmów biologicznych w otoczeniu.
- Nie dopuszczać do zawilgocenia lub zamoczenia materiałów absorbujących takich jak wykładzina, zasłony, obrusy itp.
- Jeżeli urządzenie będzie pozostawione bez nadzoru przez dłuższy okres, należy je zatrzymać, odłączyć od zasilania, opróżnić zbiornik wody i przegrodę do nebulizacji, wyczyścić i pozostawić do wyschnięcia.
- Opróżnić i wyczyścić nawilżacz przed schowaniem. Przed kolejnym użyciem umyć nawilżacz.
- Umyć zbiornik na wodę. Zaleca się regularne mycie przynajmniej raz na tydzień (w zależności od częstotliwości używania).

Zob. sekcja KONSERWACJA.

- UWAGA: w przypadku braku regularnego i prawidłowego czyszczenia zbiornika na wodę mogą rozwinąć się w nim mikroorganizmy, które następnie zostaną rozproszone w powietrzu. (Zob. sekcja KONSERWACJA).
- Nie dopuszczać do zawilgocenia lub zamoczenia miejsca wokół nawilżacza. W przypadku powstania zawilgocenia skierować wylot nawilżacza do dołu. Jeżeli wylot nawilżacza nie może zostać skierowany do dołu lub zmniejszony, używać nawilżacza z przerwami.

URUCHOMIENIE URZĄDZENIA (SCHEMAT 3)

Przed pierwszym użyciem sprawdzić, czy napięcie w instalacji odpowiada napięciu wskazanemu na urządzeniu.

Urządzenie można podłączyć do gniazda elektrycznego bez uziemienia. Jest to urządzenie klasy II (podwójna izolacja ).

Przed uruchomieniem urządzenia należy upewnić się, czy:

- ustawienie urządzenia jest zgodne z tym opisanym w niniejszej instrukcji,
- urządzenie jest ustawione na płaskiej i stabilnej powierzchni poziomej, która nie jest podatna na zawilgocenie, i znajduje się w odległości co najmniej 20 cm od innych przedmiotów,
- kratki wlotu powietrza znajdujące się od spodu urządzenia nie są zasłonięte.

Uruchomienie:

1. Zdjąć górną osłonę (5).
2. Przekręcić blokadę bezpieczeństwa (2) umieszczoną między podstawą a zbiornikiem na wodę o 1/4 obrotu do góry i podnieść zbiornik wody za pomocą uchwytu do przenoszenia (6).
3. Odkręcić korek zbiornika (7).
4. Umyć zbiornik (zob. sekcja CZYSZCZENIE) i napełnić go zimną wodą (minimum 1,89 litra /maksimum 5,86 litra)
5. Dokręcić korek i sprawdzić, czy nie ma przecieków.

UWAGA: zalecamy, aby używać wody o niskiej zawartości wapnia, aby uniknąć pojawienia się białego nalotu; można używać wody z kranu, wody butelkowej, wody destylowanej lub wody gotowanej, jednak zbiornik należy zawsze napełniać zimną wodą.

6. Sprawdzić, czy podstawa urządzenia jest czysta i nie zawiera żadnego obcego przedmiotu.
7. Sprawdzić, czy czujnik poziomu wody nie jest zablokowany.
8. Umieścić zbiornik na podstawie.

UWAGA: UPEWNIĆ SIĘ, ŻE ZBIORNIK NA WODĘ JEST POŁĄCZONY Z PODSTAWĄ.

9. Przekręcić blokadę bezpieczeństwa (2) umieszczoną między podstawą a zbiornikiem na wodę o 1/4 obrotu do dołu, aby zablokować zbiornik na wodę na podstawie.
10. Wyregulować dyszę w taki sposób, aby para nie była skierowana na przeszkodę, ponieważ może to mieć negatywny wpływ na regulację wilgotności.
11. **Odczekać czterdzieści sekund**, aż woda wypełni przegrodę parowania.
12. Podłączyć urządzenie.
13. Uruchomić urządzenie. Włączy się ekran, a urządzenie uruchomi się bezpośrednio w trybie AUTO KOMFORT.

DZIAŁANIE URZĄDZENIA

Urządzenie proponuje **3 tryby pracy (AUTO KOMFORT, KONTROLA, CIĄGŁY)**, a także różne funkcje dodatkowe.

WŁĄCZANIE/TRYB CZUWANIA :

Uruchomienie / Czuwanie (Zatrzymanie); Przycisk A.

Nacisnąć przycisk (A), aby uruchomić urządzenie lub włączyć tryb czuwania.

Włączy się ekran cyfrowy, a urządzenie uruchomi się bezpośrednio w trybie AUTO.

TRYBY INTELIGENTNEGO DZIAŁANIA:

Wybór trybów działania za pomocą przycisku B. Wybrać jeden z trzech trybów, naciskając kilkakrotnie przycisk B.

1 - TRYB AUTO KOMFORT:

Urządzenie dostosowuje automatycznie poziom wilgotności w zależności od temperatury otoczenia, aby zapewnić optymalny komfort w domu.

Aby osiągnąć poziom maksymalnego komfortu w pomieszczeniu, w którym znajduje się użytkownik, regulacja uwzględnia temperaturę powietrza i oblicza optymalny poziom wilgotności.

Kiedy wilgotność w pomieszczeniu jest niższa od wilgotności zaprogramowanej, urządzenie pracuje z maksymalną prędkością. Jeżeli odpowiedni poziom wilgotności zostanie osiągnięty, urządzenie wyłącza się i ponownie uruchamia z maksymalną prędkością, jeżeli wilgotność w pomieszczeniu jest niższa od zaprogramowanej.

Pomiar wilgotności i temperatury w pomieszczeniu odbywa się co 60 sekund.

Zalecana	≤19 °C	20-21°C	22-23°C	24-25°C	26-27°C	28-29°C	30-32°C	33-36°C	≥37°C
Docelowa wilgotność względna	65 %	60 %	55 %	50 %	45 %	40 %	35 %	30 %	25 %

W trybie **AUTO KOMFORT** można wybrać funkcję ciepłej mgiełki.

2 - TRYB KONTROLI:

• **Poziom wilgotności: przycisk B, aby wyregulować wymagany poziom wilgotności (docelowy);**

Wybrać wymagany poziom wilgotności, naciskając kilkakrotnie przycisk B.

Wyświetlony poziom wilgotności to poziom wymagany określony przez użytkownika (od 45% do 90% wilgotności względnej). W trybie **KONTROLI** można wybrać funkcję ciepłej mgiełki.

• **Natężenie mgiełki: przycisk C**

Wybrać wymagane natężenie mgiełki, naciskając kilkakrotnie przycisk C. Dostępne są trzy prędkości. Można wyregulować natężenie mgiełki wydobywającej się z urządzenia, aby szybciej osiągnąć wymagany poziom wilgotności.

UWAGA: ten parametr nie może być używany w trybie **AUTO KOMFORT**

3 - TRYB CIĄGŁY:

Nacisnąć przycisk B aż do momentu pojawienia się oznaczenia trybu ciągłego „Co” na ekranie cyfrowym.

Urządzenie działa do momentu osiągnięcia progu 90% wilgotności względnej (granica bezpieczeństwa) lub do czasu opróżnienia zbiornika. Mgiełka jest wytwarzana ciągle. Można wyregulować jej natężenie.

Urządzenie wyłącza się automatycznie, gdy poziom wilgotności w pomieszczeniu przekracza 90% wilgotności względnej, i uruchamia się, gdy pomiar poziomu wilgotności w pomieszczeniu wskazuje 80% wilgotności względnej.

UWAGA: w trybie działania ciągłego wilgotność w pomieszczeniu może osiągnąć bardzo wysoki poziom, który nie jest korzystny dla zdrowia i może uszkodzić niektóre przedmioty. Optymalny zalecany poziom wilgotności wynosi od 50 do 60% wilgotności względnej.

• **Natężenie mgiełki: przycisk C**

Wybrać wymagane natężenie mgiełki, naciskając kilkakrotnie przycisk C. Dostępne są trzy prędkości.

FUNKCJE DODATKOWE:

• **MINUTNIK: przycisk D w celu zaprogramowania automatycznego wyłączenia urządzenia.**

Określić czas (liczbę godzin), przez który urządzenie ma być włączone (od 1 do 12 godzin), zanim wyłączy się automatycznie. W tym celu nacisnąć kilkakrotnie przycisk D.

Ekran wyświetla czas pozostały do wyłączenia urządzenia. Ustawienie minutnika można zmienić w dowolnym momencie, naciskając przycisk D, nawet do 12 godzin.

• **Funkcja CIEPŁA MGIEŁKA Przycisk E: podgrzewana mgiełka o działaniu antybakteryjnym i z efektem turbo:**

Nacisnąć przycisk E, aby włączyć lub wyłączyć funkcję ciepłej mgiełki. Na ekranie pojawi się lub zniknie czerwony piktogram. Po 10 minutach używania mgiełki staje się ciepła.

Po 30 minutach używania w pozycji ciepłej mgiełki rozpoczyna się działanie antybakteryjne, które umożliwia przeciwdziałanie rozprzestrzenianiu się zarodników* w podstawie urządzenia. Funkcja ta uzupełnia również pozostałe tryby działania i pozwala zwiększyć wytwarzanie wilgotności 20%. Gdy poziom wilgotności w pomieszczeniu jest niższy, mgiełka ponownie zaczyna się wytwarzać (na ekranie pojawia się czerwony piktogram).

* Usuwa do 91% bakterii *Escherichia Coli* i *Staphylococcus Aureus*, które stanowią większość bakterii obecnych po 30 minutach używania w pozycji ciepłej mgiełki w normalnych warunkach używania. Testy przeprowadzone przez niezależne laboratorium.

• Funkcja NOC: oświetlenie zbiornika i dźwięk włączone/wyłączone: przycisk F.

Naciśnij przycisk F, aby włączyć lub wyłączyć funkcję.

Ta funkcja pozwala wyłączyć oświetlenie zbiornika na wodę oraz sygnały dźwiękowe przycisków w panelu dotykowym.

UWAGA: Jeżeli tryb nocny jest włączony, wskaźnik dźwiękowy pustego zbiornika nie działa.

Miga jedynie wskaźnik świetlny N pustego zbiornika (czerwony piktogram).

• ZASILANIE PILOTA (HD523x) :

HD523x : Do zasilania pilota potrzebne są 1 bateria guzikowa 3V typu CR2025. Baterie nie są dołączone.

Umieścić baterie w komorze baterii zgodnie z oznaczeniami polaryzacji w komorze.

WAŻNE: Jeżeli nie korzystają Państwo z urządzenia, należy odłączyć zasilanie.

W okresie przechowywania wyjąć baterie z pilota.

• WSKAŹNIK PUSTEGO ZBIORNIKA: czerwona lampka kontrolna N i wskaźnik dźwiękowy

Jeżeli poziom wody jest zbyt niski lub jeżeli zbiornik na wodę jest wyjęty, urządzenie wydaje trzy sygnały dźwiękowe, a czerwony piktogram (N) miga na ekranie. Jeżeli zbiornik na wodę nie zostanie napełniony lub wymieniony w ciągu 15 minut, urządzenie wyłącza się automatycznie. Napełnić zbiornik na wodę i postawić go na podstawie. Urządzenie będzie działać normalnie.

KONSERWACJA

UWAGA: ten rodzaj urządzenia wymaga regularnej i dokładnej konserwacji. Podobnie jak w przypadku wszystkich nawilżaczy, w których może stać woda, zalecamy pełne czyszczenie urządzenia raz na tydzień (w zależności od częstotliwości używania), aby uniknąć rozprzestrzeniania się bakterii. Przed przeprowadzeniem czynności konserwacyjnych urządzenie należy wyłączyć i odłączyć od zasilania.

Nie umieszczać podstawy urządzenia pod bieżącą wodą ze względu na ryzyko dostania się wody do przewodu powietrznego.

Należy regularnie czyścić zbiornik na wodę, strefę parowania (wokół krążka piezoelektrycznego) i kratki wlotu powietrza znajdujące się pod urządzeniem.

Nie zanurzać podstawy produktu, przewodu zasilającego i wtyczki w wodzie lub innym płynie.

Zalecamy używanie zimnej przegotowanej wody lub wody destylowanej.

• Czyszczenie zbiornika:

1- Umyć zbiornik i korek zbiornika wodą z mydłem, odpowiednio spłukać i osuszyć miękką i suchą ściereczką.

2- W celu umycia wnętrza zbiornika wlać wodę do zbiornika i potrząsnąć energicznie.

Wylać wodę i wysuszyć miękką i suchą ściereczką.

3- Dopilnować opróżnienia wody z urządzenia i osuszenia go przed schowaniem na dłuższy okres.

• Czyszczenie strefy parowania (wokół płytki piezoelektrycznej 13), elementu grzejnego i krążka ceramicznego:

Regularnie przepłukiwać (co 3 dni) podstawę urządzenia wodą i osuszać miękką i suchą ściereczką. (Uwaga: należy uważać, by woda nie dostała się do wylotu powietrza z wentylatora).

Regularne czyszczenie krążka piezoelektrycznego i elementu grzejnego pozwala uniknąć odkładania się kamienia.

Nie używać twardych lub szorstkich przyborów, stosować wyłącznie szczotkę dołączoną do urządzenia.

W przypadku pojawienia się kamienia zastosować się do zaleceń w sekcji „PRODUKT CZYSZCZĄCY I ODKAMIENIAJĄCY DOŁĄCZONY DO URZĄDZENIA”.

UWAGA: zalecamy czyszczenie krążka ceramicznego i elementu grzewczego w momencie pojawienia się kamienia, aby zagwarantować ten sam poziom wydajności.

UWAGA: nie używać ściernych produktów czyszczących, ponieważ mogą one uszkodzić urządzenie. Czyścić

urządzenie lekko wilgotną ściereczką i szczotką dołączoną do urządzenia.

W razie ewentualnych pytań sprawdzić międzynarodową kartę gwarancyjną TEFAL dołączoną do produktu, gdzie znajdują się dane działu obsługi klienta.

ŚRODEK DO CZYSZCZENIA I ODKAMIENIANIA DOSTARCZANY WRAZ Z URZĄDZENIEM

INSTRUKCJA OBSŁUGI

- 1- Wyłączyć urządzenie i wyjąć zbiornik na wodę.
- 2- Dodać proszek z 2 torebek do naczynia z 0,6 litra ciepłej wody.
- Wymieszać do całkowitego rozpuszczenia proszku.
- 3- Napęlnić podstawę urządzenia roztworem i odczekać 1 godzinę, aby zadziałał.
- 4- Opróżnić urządzenie i usunąć kamień za pomocą szczotki dostarczonej z produktem.
- 5- Przepłukać całą komorę czystą wodą z kranu.
- (Uwaga: należy uważać, by woda nie dostała się do wylotu powietrza z wentylatora).
- 6- Urządzenie jest gotowe do ponownego użycia.

UWAGA: Przechowywać w miejscu niedostępnym dla dzieci - produkt szkodliwy w przypadku połknięcia - działa drażniąco na oczy i skórę.

PIERWSZA POMOC:

W PRZYPADKU STYCZNOŚCI Z OCZAMI - natychmiast przepłukać wodą, co najmniej przez 15 minut, i skontaktować się z lekarzem.

W PRZYPADKU STYCZNOŚCI ZE SKÓRĄ - natychmiast umyć wodą i mydłem.

POŁKNIECIE - Napić się wystarczającej ilości wody, by wypłuć; może wywołać dolegliwości żołądkowe - zasięgnąć porady lekarza.

SKŁAD: Kwas cytrynowy > 99%

Można również zastosować zestaw odkamieniający ANTICALC marki KRUPS sprzedawany jako akcesorium F054 (F054001). Należy pamiętać, że do przeprowadzenia odkamieniania urządzenia wystarczy jedynie 20 g proszku.

PRZECHOWYWANIE

Jeżeli urządzenie nie jest używane, należy przechowywać je w suchym miejscu. Przed schowaniem należy opróżnić zbiornik na wodę, umyć i osuszyć urządzenie.

W PRZYPADKU WYSTĄPIENIA PROBLEMÓW


Nie przeprowadzać samodzielnie demontażu urządzenia. Urządzenie źle naprawione może być niebezpieczne dla użytkownika.

Przed podjęciem kontaktu z autoryzowanym centrum serwisowym z naszej sieci upewnić się, że urządzenie jest ustawione normalnie, a kratki wlotu i wylotu powietrza są całkowicie drożne.

PROBLEM	Możliwa przyczyna	Co robić?
Urządzenie nie działa po włączeniu.	Docelowy wskaźnik wilgotności został osiągnięty.	Zwiększyć wskaźnik wilgotności w TRYBIE KONTROLI lub wybrać TRYB CIĄGŁY.
	Miga wskaźnik poziomu wody.	Napełnić zbiornik na wodę.
	Zbiornik na wodę nie jest odpowiednio włożony.	Sprawdzić umiejscowienie zbiornika na podstawie.
	Urządzenie nie stoi na płaskiej powierzchni.	Sprawdzić umiejscowienie urządzenia (nachylenie).
	W przegrodzie parowania nie ma wymaganego poziomu wody.	Odczekać 20 sekund.
	Odsetek wilgotności względnej w pomieszczeniu przekracza 90%.	Odczekać, aż odsetek wilgotności względnej w pomieszczeniu spadnie poniżej 80%.
Wydajność nawilżania jest zbyt niska.	W pomieszczeniu następuje naturalna lub sztuczna wymiana powietrza, która uniemożliwia zwiększenie odsetka wilgotności względnej.	Sprawdzić, czy drzwi i okna są zamknięte. Sprawdzić, czy w pomieszczeniu nie jest włączona klimatyzacja.
	Może się zdarzyć, że kratki wlotu i wylotu powietrza i dysza są zablokowane.	Usunąć wszystkie elementy blokujące kratki i dyszę.
	W dyszy lub na elemencie piezoelektrycznym jest zbyt dużo kamienia	Oczyścić podstawę zgodnie z instrukcją konserwacji.
	Wybrany wskaźnik wilgotności jest zbyt niski.	Zwiększyć prędkość parowania w TRYBIE KONTROLI. Zwiększyć regulację wilgotności w TRYBIE KONTROLI.
Wilgotność powietrza jest zbyt wysoka.	Urządzenie działa w TRYBIE CIĄGŁYM.	Zmień tryb.
	Docelowy wskaźnik wilgotności jest zbyt wysoki.	Wybierz niższy docelowy wskaźnik wilgotności względnej.
W pomieszczeniu występuje kondensacja.	Temperatura powietrza jest zbyt niska.	Ogrzać pomieszczenie.
Urządzenie jest zbyt głośne.	Urządzenie jest ustawione niestabilnie.	Umieść urządzenie na płaskiej i stabilnej powierzchni.
	Być może w zbiorniku na wodę występuje pogłos z powodu niskiego poziomu wody.	Napełnić zbiornik na wodę.

Mgiewka nagle przestaje wydobywać się z urządzenia.	Upłynął czas zaprogramowany na minutniku.	Uruchomić urządzenie.
	Miga wskaźnik poziomu wody.	Napełnić zbiornik na wodę.
	Docelowy wskaźnik wilgotności został osiągnięty.	
Funkcja ciepłej mgiewki nie wytwarza ciepłej wilgotności.	Urządzenie jest na etapie podgrzewania.	Odczekać kilka minut do czasu zakończenia etapu.
	Mgiewka jest zbyt delikatna, aby odczuć ciepło.	Zwiększyć prędkość.
	Temperatura otoczenia jest zbyt niska, a mgiewka może ochładzać się zbyt szybko.	Zwiększyć prędkość i ogrzać pomieszczenie.
Urządzenie nie działa i nic nie wyświetla się na ekranie.	Urządzenie nie jest podłączone do prądu.	Podłączyć wtyczkę do gniazda głównego.
Mgiewka ma nietypowy zapach.	Urządzenie jest używane po raz pierwszy.	Zapach zniknie po kilku minutach używania urządzenia.
	Użyta woda jest brudna lub stoi w zbiorniku na wodę lub podstawie zbyt długo.	Oczyszczyć zbiornik na wodę i podstawę zgodnie z instrukcją konserwacji.
Mgiewka wydobywa się z obrotu dyszy.	Między dyszą, pokrywą a zbiornikiem wody znajduje się otwór.	Ponownie nałożyć pokrywę i sprawdzić, czy dysza jest dobrze zainstalowana na pokrywie.

AKTYWNIEMO CHROŹMY ŚRODOWISKO!

- 
- Urządzenie jest wykonane z wielu materiałów, które mogą być poddawane ponownemu przetwarzaniu lub recyklingowi.
 - Odnieś je do punktu odbioru odpadów lub do autoryzowanego centrum serwisowego.
 - Urządzenie zawiera baterie: pomóż nam chronić środowisko i nie wyrzucaj zużytych baterii.
 - Odnieś baterie do specjalnego punktu odbioru odpadów. Nie wyrzucaj baterii do zwykłego kosza.

Instrukcje obsługi są również dostępne na naszej stronie internetowej www.tefal.com.

Niniejsza instrukcja obsługi jest dostępna online.

A túl száraz levegő kedvez a fertőzések és a légúti megbetegedések kialakulásának, valamint kiszáríthatja a bőrt, a nyálkahártyát, a szobanövényeket és a bútorokat.

A párasító készülék hatékonyan juttatja a vízgőzt a környezeti levegőbe.

A páratartalom relatív páratartalomban (HR) van kifejezve. A relatív páratartalom az a százalékos érték, amely mutatja, hogy a levegőben levő vízgőztartalom hány százaléka annak a maximális vízgőztartalomnak, melyet a levegő az adott hőmérsékleten kondenzvíz lecsapódása nélkül maximálisan befogadhat.

A relatív páratartalom mérése higrométerrel történik.

MŰKÖDÉSI ELV

A párasító készülék két, egymást kiegészítő párasítórendszert működtet:

- Hidegpárásító rendszer: ultrahangos kerámia membrán korong, amely rendkívül finom vízcseppeket állít elő.
- A készülék automatikusan növeli a környezeti levegő páratartalmát, és az elektronikus higrosztátnak köszönhetően pontosan szabályozza a relatív páratartalmat.

TELEPÍTÉS HELYE

A párasító készülék otthoni használata különösen télen ajánlott, azonban nem helyettesíti a rendszeres szellőztetést.

Először is abban a helyiségben helyezze el a készüléket, amelyben a leginkább szükség van párasításra. A készülék 53,6 m² alapterületű helyiség párasítására alkalmas.

TERMÉKLEÍRÁS (1. ÁBRA)

- | | |
|----------------------------|--|
| 1. Készülék alapegység | 9. Érintős kezelőfelület |
| 2. Vízartály zárórendszer | 10. Kijelző felület |
| 3. Vízartály | 11. Hőmérséklet és páratartalom érzékelő |
| 4. Állítható irányú fűvóka | 12. Vízartály világítás |
| 5. Fedél | 13. Kerámiakorong |
| 6. Vízartály fogantyú | 14. Fűtőelem |
| 7. Vízartály záródugó | 15. Vízszintérzékelő |
| 8. Tisztítókefe | 16. Ventilátor kimeneti levegő |

KEZELŐPANEL LEÍRÁSA (2. ÁBRA)

Kezelőfelület

- A. „ON/OFF érintógomb
- B. Választógomb 3 párasító üzemmód beállításához: Automatikus komfort – Vezérelt – Folyamatos
- C. Párintenzitás kiválasztógomb (min/max): 3 sebességfokozat
- D. Időzítőkapcsoló (TIMER)
- E. Meleg pára kiválasztógomb
- F. Éjszakai (NIGHT) beállítógomb: vízartály világítás és hangjelzés kikapcsolása

Digitális kijelző

- G. Időzítő: 1-12 óra
- H. Szobahőmérséklet (Fahrenheit fok) kijelző
- I. AUTO = AUTOMATIKUS KOMFORT üzemmód
- J. Co = FOLYAMATOS üzemmód
- K. Beállított relatív páratartalom (%)
- L. Párintenzitás (párologtatási sebesség)
- M. Meleg pára (piros kijelző lámpa)
- N. Alacsony vízartályszint kijelző (piros kijelző lámpa)

FIGYELEM!

A készülék használatbavétele előtt olvassa el figyelmesen a termékismertetőt és tartsa be a következő utasításokat:

- A készüléket csökkent fizikai, érzékszervi vagy mentális képességgel rendelkező (gyermeket is beleértve), vagy kellő tapasztalatok illetve ismeretek híján lévő személyek csak akkor használhatják, ha a biztonságukért felelős személy a tevékenységüket felügyeli, illetve előzetes oktatásban részesítette őket a készülék használatára vonatkozóan.
- A készüléket legalább 8 éves gyermekek, továbbá csökkent fizikai, érzékszervi vagy mentális képességű vagy kellő tapasztalattal és ismeretekkel nem rendelkező személyek is használhatják, ha megfelelő felügyelet alatt állnak, ha őket a készülék biztonságos használatára vonatkozó utasításokkal ellátták és megértették a termék használatával járó veszélyeket.
- Gondoskodjon a gyermekek felügyeletéről, és ne engedje játszani őket a készülékkel.
- A használó által végzendő tisztítást és karbantartást felnőtt felügyelete nélkül gyermekek nem végezhetik.
- **A KÉSZÜLÉK ALSÓ RÉSZÉT, A TÁPVEZETÉKET VAGY A CSATLAKOZÓT NE MERÍTSE VÍZBE VAGY MÁS FOLYADÉKBA.**
- Soha ne zárja le a készülék alapegységén lévő légbeömlő nyílás rácsozatát.
- **A VÍZTARTÁLY FELTÖLTÉSE, A KÉSZÜLÉK TISZTÍTÁSA VAGY ÁTHELYEZÉSE ELŐTT KAPCSOLJA KI A PÁRÁSÍTÓT ÉS HÚZZA KI A VEZETÉKET A CSATLAKOZÓBÓL.**
- **SOHA NE TEGYEN ILLÓOLAJAT VAGY MÁS ADALÉKANYAGOT A PÁROLOGTATÓVEZETÉKBE VAGY A VÍZTARTÁLYBA.**
- **FIGYELEM!** A víztartály rendszeres és alapos tisztításának elmaradása esetén a víztartályban mikroorganizmusok fejlődhetnek ki és szóródhatnak szét a légtérben. (Lásd **KARBANTARTÁS** című fejezet).

KIEMELTEN FONTOS!

- A készülék kizárólag háztartási használatra alkalmas. Ipari célra nem alkalmazható.
- A helytelen használat során esetlegesen bekövetkező károkokra a garancia nem terjed ki.
- Ne üzemeltesse a készüléket poros vagy tűzveszélyes helyiségben.
- Használat előtt mindig ellenőrizze a készülék, a csatlakozó és a tápkábel megfelelő állapotát.
- Soha ne tegyen idegen tárgyat (pl. tűt) a készülék belsejébe.
- A veszélyek elkerülése érdekében a megsérült tápkábelt a gyártónak, a gyártó szervizszolgálatának vagy egy megfelelő képzettségű szakembernek kell kicserélnie.
- Tartsa a készüléket gyermekektől távol.
- Az elektromos csatlakozót soha ne húzza ki a tápkábelnél vagy a készüléknél fogva a fal aljzatból.
- Használat előtt teljesen tekerje le a tápkábelt.
- A készülék hulladékként történő elhelyezésekor be kell tartani az olaj és a hűtőközeg eltávolítására vonatkozó környezetvédelmi előírásokat.
- Ne használja a készüléket a szabadban.
- A készüléket az adott országban érvényben lévő előírásoknak megfelelően kell üzembe helyezni.
- A készülék összeállítását a hálózatra történő csatlakoztatás előtt kell elvégezni.
- A készülék kizárólag függőleges helyzetbe állítva üzemeltethető.
- Helyezze a készüléket egy vízszintes, sima, stabil és nedvességtől védett felületre.

- Ne állítsa a párástót fa bútor, hangberendezés, televízió vagy elektromos készülék tetejére.
- Kizárólag ivóvizet használjon. A tartály vizét, amennyiben nem ürül le egy hét alatt, hetente legalább egyszer ajánlott cserélni.
- Ne takarja le a készüléket.
- Fűvóka nélkül ne használja a készüléket.
- Vizes kézzel ne nyúljon a készülékhez.
- Működés közben ne mozgassa a készüléket.
- Ne töltsön vizet a párologtatócsőbe, mert ez túlfolyást okozhat.
- Ne használja a készüléket gyúlékony anyag közelében (függöny, aeroszolos palack, oldószer, stb.)
- Ha nem használja a készüléket, mindig ürítse ki a víztartályt.
- Minden egyes használat során cserélje ki a tartályban lévő vizet.
- Tudatában kell lenni, hogy a környezet magas páratartalma kedvező hatással lehet a biológiai organizmusok elszaporodására.
- Ne hagyja a nedvszívó anyagokat (padlószőnyeg, függöny, asztalterítő...) átnedvesedni.
- Ha a készülék hosszabb ideig felügyelet nélkül marad, el kell végezni az áramtalanítását, a tartály és a porlasztó rekesz víztelenítését, az eszköz tisztítását és szabad levegőn történő szárítását.
- Tárolás előtt ürítse ki és tisztítsa meg a párástó készüléket. A következő használat előtt tisztítsa meg a párástó készüléket.
- Tisztítsa meg a víztartályt. Rendszeres tisztítás ajánlott, használatától függően legalább heti egy alkalommal. (Lásd KARBANTARTÁS című fejezet).
- FIGYELEM! A víztartály rendszeres és alapos tisztításának elmaradása esetén a víztartályban mikroorganizmusok fejlődhetnek ki és szóródhatnak szét a légtérben. (Lásd KARBANTARTÁS című fejezet).
- Ügyeljen arra, hogy a párástó környezetében ne jelentkezzen páralecsapódás vagy nedvesedés. Amennyiben páralecsapódást észlel, fordítsa lefelé a párástó kimenetét. Amennyiben a párástó kivezetője nem fordítható lefelé vagy nem vehető lejjebb, üzemeltesse szakaszosan a készüléket.

KÉSZÜLÉK BEKAPCSOLÁSA (3. ÁBRA)

Az első használat előtt ellenőrizze, hogy a meglévő hálózat feszültsége megfelel-e a készüléken feltüntetett feszültségeknek.

A készülék földelés nélküli csatlakozó dugaljrról üzemeltethető. A készülék II. érintésvédelmi osztályba tartozik (kettős vagy megerősített szigetelésű berendezések ).

A készülék bekapcsolása előtt győződjön meg arról, hogy:

- a készülék elhelyezése megfelel a leírásban előírtaknak,
- a készülék vízszintes, sík, stabil és nedvességre nem érzékeny felületen, minden más tárgytól legalább 20 cm távolságra (7,87) helyezkedik el,
- a készülék alján lévő légbeömlő nyílás rácsozata nincs eltorlaszolva.

Üzembe helyezés:

1. Vegye le a készülék fedelét (5)
2. Fordítsa egy negyed fordulattal felfelé a készülék alapegysége és a víztartály között található biztonsági zárat (2) és emelje fel a víztartályt a fogantyú (6) segítségével.
3. Csavarja ki a tartálydugót (7).
4. Tisztítsa ki a tartályt (lásd TISZTÍTÁS fejezet) és töltsön bele hideg vizet (minimum 1,89 liter, maximum 5,86 liter).
5. Gondosan csavarja vissza a tartálydugót és győződjön meg arról, hogy nem szívárog a víz.

MEGJEGYZÉS: Tanácsoljuk, hogy a fehér lerakódások elkerülése érdekében alacsony keménységű vizet használjon; ez lehet csapvíz, palackozott víz, desztillált víz vagy forralt víz, azonban ügyeljen arra, hogy mindig hideg vizet használjon.

6. Győződjön meg arról, hogy a készülék alapegysége tiszta legyen és ne legyen rajta idegen tárgy.
7. Ellenőrizze, hogy a vízszintjelző akadálymentesen mozog-e.
8. Helyezze vissza a víztartályt a készülék alá.

FIGYELEM! GYŐZŐDJÖN MEG A VÍZTARTÁLY MEGFELELŐ ILLESZKEDÉSÉRŐL.

9. A víztartály rögzítéséhez fordítsa egy negyed fordulattal lefelé a készülék alapegysége és a víztartály között található biztonsági zárat (2).

10. Állítsa be a fűvókát úgy, hogy az ne irányuljon olyan tárgyra, amely akadályozhatná az egyenletes páraelosztást.
11. **Várjon negyven másodpercet**, hogy a párologtatóresz megteljen vízzel.
12. Dugja be a készüléket a hálózatba.
13. Kapcsolja be a készüléket. A kijelző világitani kezd és a készülék közvetlenül AUTOMATIKUS KOMFORT üzemmódban kezd meg működését.

MŰKÖDÉS

A készülék **3 féle üzemmódot (AUTOMATIKUS KOMFORT, VEZÉRELT, FOLYAMATOS)**, valamint számos kiegészítő funkciót kínál.

„ON/STAND-BY”:

Bekapcsolás/Készenlét (Leállítás): „A” jelű gomb.

A készülék elindításához vagy készenléti állapotba történő helyezéséhez nyomja meg az „A” jelű gombot. A digitális kijelző kigyullad és a készülék közvetlenül AUTOMATIKUS üzemmódban kezd működni.

INTELLIGENS MŰKÖDÉSI MÓDOK

Működési mód kiválasztása a „B” jelű gomb segítségével történik. A „B” gomb többszöri lenyomásával válasszon ki egy üzemmódot a három változat közül.

1 - AUTOMATIKUS KOMFORT ÜZEMMÓD:

A környezeti hőmérséklet alapján a készülék automatikusan beállítja a páraszintet az optimális otthoni kényelem megteremtéséhez.

Ezzel a beállítással a készülék a környezeti hőmérséklet alapján kiszámítja az optimális páratartalmat az Ön tartózkodásául szolgáló helyiségben a tökéletes kényelemhez.

Amennyiben a helyiség páratartalma a programban megadott érték alatt van, a készülék maximális sebességen működik. Amikor a helyiség páratartalma eléri a megfelelő értéket, a készülék leáll, majd ismételt maximum sebességre kapcsol, ha a páratartalom a programban megadott érték alá süllyed.

A helyiség páratartalmának és hőmérsékletének mérése 60 másodpercenként történik.

Hőmérséklet	≤19 °C	20-21°C	22-23°C	24-25°C	26-27°C	28-29°C	30-32°C	33-36°C	≥37°C
Relatív páratartalom célérték (%)	65 %	60 %	55 %	50 %	45 %	40 %	35 %	30 %	25 %

A melegpára-funkciót kiválaszthatja az **AUTOMATIKUS KOMFORT** üzemmódban.

2 - VEZÉRELT ÜZEMMÓD:

• **Páratartalomszint: „B” jelű gomb a kívánt páratartalom beállításához (célérték).**

A „B” gomb többszöri lenyomásával válassza ki a kívánt páratartalom szintjét.

A kijelzőn megjelenő páratartalomszint az Ön által előre meghatározott szintet mutatja (45% és 90% relatív páratartalom között). A melegpára-funkciót kiválaszthatja a **VEZÉRELT** üzemmódban.

• **Páraintenzítás: „C” jelű gomb.**

A „C” gomb többszöri lenyomásával válassza ki a kívánt párafelhő intenzitását. Három sebességfokozat állítható be. A kívánt páratartalom gyorsabb elérése érdekében a kilépő párafelhő intenzitása szabályozható.

FIGYELEM! Ez a paraméter nem használható **AUTOMATIKUS KOMFORT** üzemmódban.

3 - FOLYAMATOS ÜZEMMÓD:

Tartsa lenyomva a „B” jelű gombot egészen addig, amíg a „Co” felirat meg nem jelenik a digitális kijelzőn.

A készülék addig működik, amíg a relatív páratartalom el nem éri a 90%-os küszöbértéket (biztonsági határ), vagy amíg a tartály ki nem ürül. A pára kibocsátás folyamatos, és a párafelhő intenzitása állítható.

A készülék automatikusan leáll abban az esetben, ha a helyiség páratartalma meghaladja a 90%-os szintet, és újból elindul, ha a helyiségben mért relatív páratartalom eléri a 80%-ot.

FIGYELEM! Folyamatos üzemmódban a páratartalom igen magas szintet érhet el, ami ártalmas lehet az egészségre és kárt tehet bizonyos tárgyokban. Az ajánlott optimális páratartalom 50% és 60% relatív páratartalom között mozog.

• **Páraintenzítás: „C” jelű gomb.**

A „C” gomb többszöri lenyomásával válassza ki a kívánt párafelhő intenzitását. Három sebességfokozat állítható be.

IDŐZÍTŐ FUNKCIÓK:

• IDŐZÍTŐ: a „D” jelű gombbal a készülék automatikus leállításának ideje előre beprogramozható.

A „D” jelű érintőgomb többszöri lenyomásával adja meg azt az óraszámot, ameddig a leállást megelőzően a készüléket működtetni kívánja (1-12 óra).

A kijelző a hátralévő időt mutatja. Az időzítés bármikor megváltoztatható, a „D” gomb lenyomásával az időintervallum 12 órára növelhető.

• MELEGPÁRA-FUNKCIÓ, „E” jelű gomb: meleg pára az antibakteriális hatáshoz és turbósításhoz:

Nyomja meg az „E” jelű gombot a melegpára-funkció elindításához és leállításához. A kijelzőn megjelenik vagy eltűnik a piros világítás. 10 perc használat után a pára felmelegszik.

A melegpára-funkció használatát követő 30 perc elteltével érvényesül az antibakteriális hatás, melynek révén megakadályozható a készülék aljában megjelenő kórokozók* elszaporodása. Ez a kiegészítő funkció más üzemmódban is alkalmazható és segítségével 20%-kal növelhető a páratermelés. Amint a helyiség páratartalma alacsonyabb szintre kerül, a meglevegő-funkció újra bekapcsol (a piros ábra megjelenik a kijelzőn).

* Melegpára-beállításnál, normál használati körülmények között, megöli a baktériumok legnagyobb részét alkotó *Escherichia Coli* és *Staphylococcus Aureus* baktériumok 91%-át, melyek 30 perc használat után is életképesek maradnak. A teszteket független laboratórium végezte.

• Éjszakai funkció: tartály világítás és be- és kikapcsolás az „F” gomb használatával:

A funkció be- és kikapcsoláshoz nyomja meg az „F” gombot.

Ezzel a funkcióval kapcsolható ki a víztartály világítása, valamint az érintőgombok hangjelzései.

FIGYELEMI! Az éjszakai funkció aktiválása esetén a tartály leürülésére figyelmeztető hangjelzés nem működik. Egyedül az „N” kijelző (piros tájékoztató ábra) villog.

• TÁVIRÁNYÍTÓVAL RENDELKEZŐ KÉSZÜLÉK/KÉSZÜLÉKEK (HD523x):

A távirányító 1 darab, külön megvásárolható 3 V (CR2025) gombellel működik.

Tege az elemeket az erre a célra kialakított tartóba ügyelve arra, hogy az elemtartón feltüntetett módon a pozitív és negatív pólusok helyes irányba kerüljenek.

FONTOS! Tanácsos a használaton kívüli készüléket kikapcsolni és a vezetékét kihúzni a hálózathoz. A készülék hosszabb tárolása esetén vegye ki az elemeket a távirányítóból.

• TARTÁLY LEÜRÜLÉS KIJELZŐ: pirosan világító „N” lámpa és hangjelzés.

Alacsony vízszint esetén, vagy ha a tartály ki van véve, a három hangjelzés aktiválódik és a piros ábra (N) villogni kezd a kijelzőn. Ha a víztartály nincs megtöltve, vagy 15 perc elteltével sincs visszatétel, a készülék automatikusan leáll. Töltse fel a víztartályt és tegye vissza a helyére, a továbbiakban a készülék normál módon fog üzemelni.

KARBANTARTÁS

FONTOS! Ez a típusú készülék rendszeres és részletekre kiterjedő karbantartást igényel. A baktériumok elszaporodásának megakadályozása érdekében a párasító készüléket, mint minden párasítót, amelyben hosszabb ideig áll a víz, ajánlatos hetente legalább egyszer (a használattól függően) teljes mértékben kitisztítani.

Minden karbantartási művelet megkezdése előtt kötelező a készüléket kikapcsolni és a vezetékét kihúzni a hálózathoz.

A készülék alsó részét soha ne tegye a csapvíz alá, mert fennáll annak a veszélye, hogy víz kerül a légbeömlő nyílásba. Rendkívül fontos a víztartály, a porlasztó zóna (piezoelektromos korong környéke) és a készülék alatt lévő légbeömlő rács rendszeres tisztítása.

A készülék alsó részét, az elektromos vezetékét és a dugvillát soha ne mártsa vízbe vagy más folyadékba.

Lehűtött forrált víz vagy desztillált víz használatát javasoljuk.

• Víztartály tisztítása:

1 - Szappanos vízzel tisztítsa meg, majd alaposan öblítse le és puha, száraz törölkendő segítségével törölje szárazra a tartályt és a tartálydugót.

2 - A víztartály belsejének tisztításához öntsön vizet a tartályba és erőteljesen rázza meg.

Üritse ki a tartályt, majd és egy puha és száraz törölkendővel törölje szárazra.

3 - Hosszabb tárolási időszakot megelőzően vegye ki az elemeket és öntse ki a vizet a készülékből, majd szárítsa meg a párasítót.

• A porlasztó zóna (piezoelektromos korong környéke (13)), a fűtélem és a kerámiakorong tisztítása:

A készülék alját rendszeresen (háromnaponta) öblítse le tiszta vízzel, majd törölje szárazra egy puha és száraz törölkendővel. **FONTOS!** Bizonyosodjon meg róla, hogy a ventilátor kimeneti nyílását ne érje víz (16).

A piezoelektromos korong és a fűtőelem rendszeres tisztításával elkerülhető a vízkőlerakódás. Ne használjon kemény vagy dörzsfelületű eszközt, kizárólag a készülékhez tartozó tisztítókefét használja.

Vízkőlerakódás esetén, tekintse meg a „KÉSZÜLÉKHEZ MELLÉKELT TISZTÍTÓSZER ÉS VÍZKŐOLDÓ” című fejezetet.

FONTOS! Javasoljuk, hogy rendszeresen, még az első vízkőlerakódások megjelenése előtt, végezze el a fűtőelem és a kerámiakorong tisztítását, ami a teljesítmény szinten tartását garantálja.

FONTOS! Soha ne használjon súrolószert, mert károsíthatja a készülék külső felületét. A készülék tisztítását egy enyhén nedves törülközővel vagy a készülékhez tartozó kefével végezze.

Minden esetlegesen felmerülő kérdés esetén megtalálja az ügyfélszolgálat elérhetőségét a termékhez csatolt nemzetközi TEFAL garanciakártyán.

A KÉSZÜLÉK TISZTÍTÁSA ÉS VÍZKŐTLENÍTÉSE

Használati útmutató

- 1- Kapcsolja ki a készüléket és távolítsa el a víztartályt.
- 2 - Öntsön egy edénybe 0,6 liter meleg vizet és adjon hozzá 2 tasak port. Addig keverje, amíg a por teljesen fel nem oldódik.
- 3- Ezzel az oldattal töltsen fel a víztartályt és várjon 1 órát a hatás eléréséhez.
- 4 - Űrítse ki és távolítsa el a vízkövet a termékhez tartozó kefével.
- 5 - Hideg csapvízzel öblítse ki a teljes edényt.
(Fontos: bizonyosodjon meg róla, hogy a ventilátor kijáratát ne érje víz.)
- 6 - Készüléke ezzel készen áll a további használatra.

FIGYELEM: Gyermekektől távol tartandó - lenyelés esetén ártalmas - Irritálja a szemet és a bőrt.

ELSŐSEGÉLY:

SZEMMEL VALÓ ÉRINTKEZÉS - azonnal és legalább 15 percen keresztül öblítse ki vízzel, és keresse fel kezelőorvosát.

BŐRREL VALÓ ÉRINTKEZÉS - azonnal mossa le vízzel és szappannal.

LENYELÉS - Igyon bőségesen vizet és öklendezze vissza; gyomorpanaszokat okozhat - Keresse fel kezelőorvosát.

ÖSSZETEVŐK: citromsav > 99%

Használható még a KRUPS cég által gyártott és tartozékként árusított ANTICALC vízkőoldó szett, F054 (F054001). Felhívjuk figyelmét, hogy csak 20 gramm por szükséges a készülék vízkőtelenítéséhez.

TÁROLÁS

A használaton kívüli készüléket tárolja nedvességtől védett helyen. Tárolás előtt gondoskodjon a tartály kiürítéséről és a készülék megszáritásáról.

PROBLÉMA ESETÉN

Saját kezűleg soha ne szerelje szét a készüléket. A rosszul megjavított készülék használata veszélyes lehet a felhasználóra nézve.

Mielőtt kapcsolatba lépne hálózatunk egyik megbízott ügyfélszolgálatával, győződjön meg arról, hogy a készülék normál működési pozícióban van, valamint a légbeömlő és légkifúvó nyílások rácsain keresztül szabadon áramlik a levegő.

PROBLÉMA	Lehetséges okok	Mi a teendő?
A bekapcsolást követően a készülék nem működik.	A páratartalom elérte a tervezett szintet.	VEZÉRELT ÜZEMMÓD esetén növelje a beállított páratartalom szintjét vagy válassza a FOLYAMATOS ÜZEMMÓDOT.
	A vízszintkijelző villog.	Töltse fel a víztartályt.
	A víztartály nincs megfelelően visszahelyezve.	Ellenőrizze a víztartály elhelyezkedését a készülék alaprésznén.
	A készülék nincs sima felületre helyezve.	Ellenőrizze a készülék elhelyezését (dőlésszög).
	A víz még nem jutott el a párasítórekeszig.	Várjon legalább 20 másodpercet.
	A helyiségben a relatív páratartalom 90% felett van.	Várjon addig, amíg a relatív páratartalom 80% alá süllyed.
A párasító kapacitás túl kevés.	Természetes vagy mesterséges levegőcsere történik a helyiségben, ami megakadályozza a relatív páratartalom növekedését.	Ellenőrizze, hogy az ajtók és ablakok be vannak-e csukva. Ellenőrizze, hogy a helyiségben nincs-e bekapcsolva a klímaberendezés.
	Előfordulhat, hogy a légbeszívó rács és a fűvóka nyílásai elzáródtak.	Tegye szabaddá a rács és a fűvóka előtti teret.
	Túl sok vízkő rakódott le a készülék aljában vagy a piezoelektromos részénél.	A karbantartási utasításoknak megfelelően tisztítsa meg a készülék vízzel érintkező alsó részét.
	A kiválasztott páratartalom túl alacsony.	Növelje a párologtatás sebességét VEZÉRELT ÜZEMMÓD beállításban. Növelje a páratartalmat VEZÉRELT ÜZEMMÓD beállításban.
A környezeti páratartalom túl magas.	A készülék nem működik FOLYAMATOS ÜZEMMÓD beállításnál.	Változtassa meg az üzemmódot.
	A beállított páratartalom túl magas.	Válasszon egy alacsonyabb relatív páratartalom szintet.
A helyiségben kondenzvíz lecsapódás tapasztalható.	A környezeti hőmérséklet túl alacsony.	Fűtse fel a helyiséget.
A készülék túl zajos.	Helyezze stabil felületre a készüléket.	A készülék nincs stabil felületre helyezve.
	Az alacsony vízszint rezonanciát kelt a víztartályban.	Töltse fel a víztartályt.

A vízpára képzés hirtelen megszűnik.	Az előre programozott időzítés letelt.	Indítsa el a készüléket.
	A vízszintkijelző villog.	Töltse fel a víztartályt.
	A páratartalom elérte a tervezett szintet.	
Melegpára-funkcióban nincs melegpára-előállítás.	A készülék felfűtése még nem fejeződött be.	Várjon néhány percet, amíg a folyamat befejeződik.
	A képződő pára túl finom ahhoz, hogy érezhető legyen a melege.	Növelje a sebességi szintet.
	A környezeti hőmérséklet túl alacsony és a pára túl gyorsan lehül.	Növelje a sebességi szintet és fűtse fel a helyiséget.
A készülék nem működik és a kijelzőn semmi nem jelenik meg.	A készülék nincs az elektromos hálózatra csatlakoztatva.	Csatlakoztassa a tápkábelt a fő áramforrásra.
A keletkezett pára különös szagot áraszt.	Ez a készülék első használatakor előfordulhat.	Pár perc használat után a szag megszűnik.
	A felhasznált víz nem tiszta vagy túl sokáig állt a tartályban vagy a készülék aljában.	A karbantartási utasításoknak megfelelően tisztítsa meg a víztartályt és a készülék alsó részét.
A pára a fűvóka mellett távozik.	Nem tökéletes a záródás a fűvóka, a fedél és a víztartály között.	Igazítsa vissza a fedelet, és ellenőrizze, hogy a fűvóka megfelelően csatlakozik-e a fedélhez.

VEGYÜK KI RÉSZÜNKET KÖRNYEZETÜNK MEGÓVÁSÁBAN!



A készülék számos visszanyerhető vagy újrahasznosítható anyagot tartalmaz.
 A készüléket adja le a gyűjtőhelyen, vagy ennek hiányában a márkaszervizben.
 A készülék elemmel működik. Segítsen minket a természet megóvásában és ne dobja el a használt elemeket.
 Adja le inkább az erre a célra kialakított gyűjtőpontokon. Az elemeket ne dobja ki a háztartási hulladékkal együtt.

Az erre vonatkozó útbaigatások a www.tefal.com. internet oldalunkon is megtalálhatók.

A használati útmutató letölthető az internetről.