

JBL® CLUB SPEAKERS



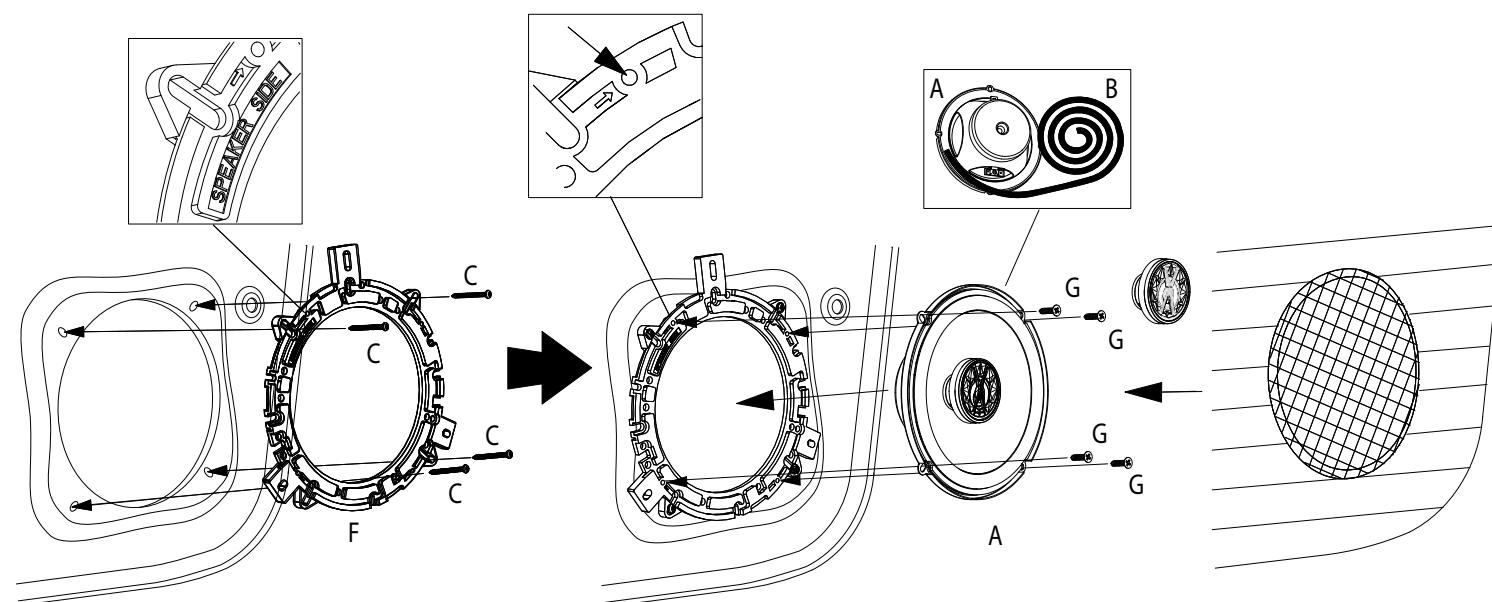
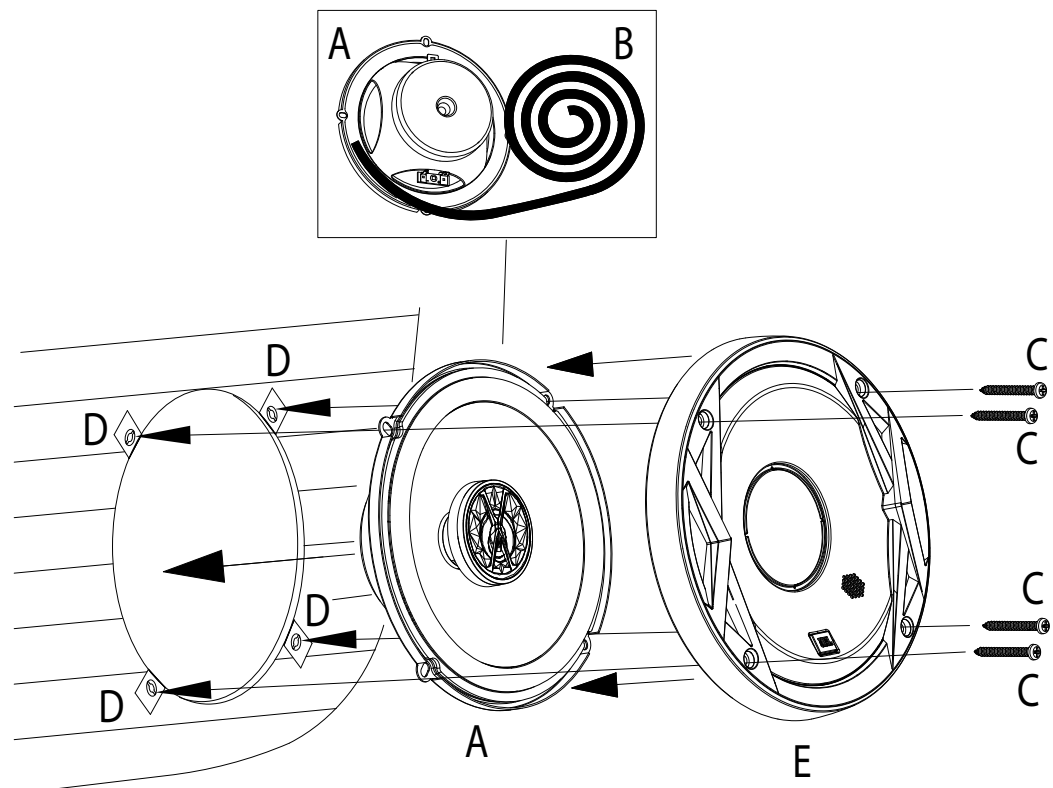
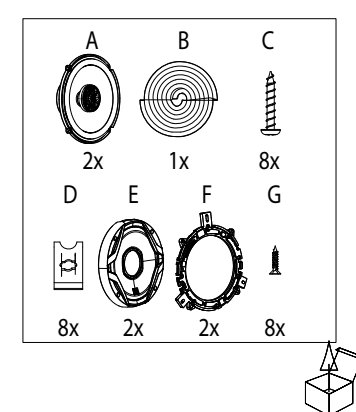
by HARMAN

Car Audio Speaker
 Haut-parleur audio automobile
 Altavoz de audio para automóvil
 Alto-falante automotivo
 Fahrzeuglautsprecher
 Diffusore Car Audio
 Autoluidspreker
 Bilstereohøytaler
 Autokaiutin
 Автомобильный динамик
 Bilhögtalare
 Bilhöjtaler
 カーオーディオ・スピーカー
 Głośnik samochodowy
 카오디오 스피커
 车载扬声器
 汽車音響喇叭
 Speaker Audio Mobil
 Araba Ses Hoparlörü

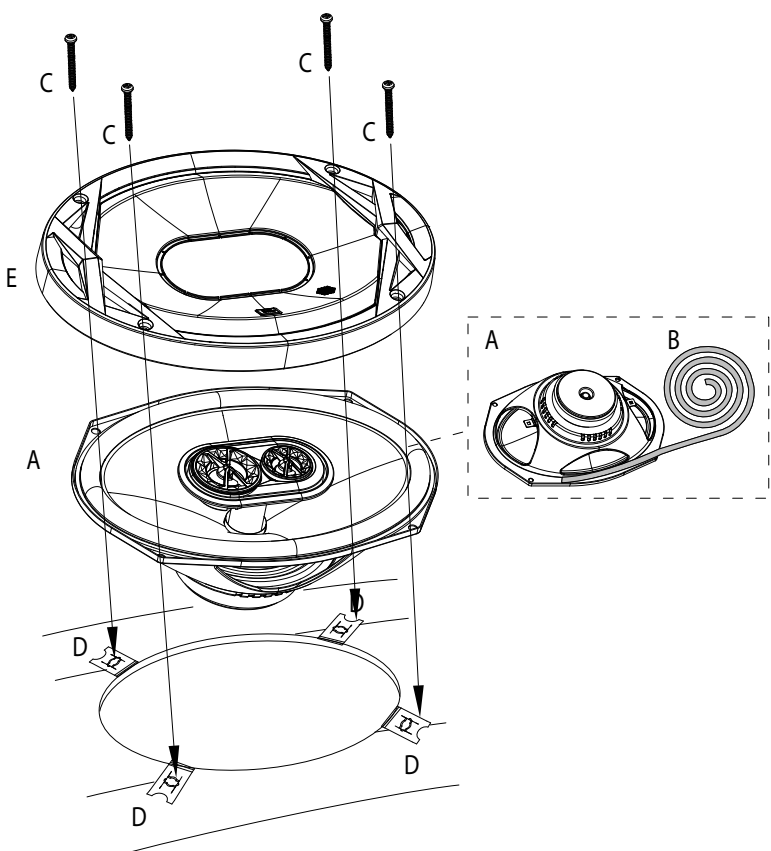
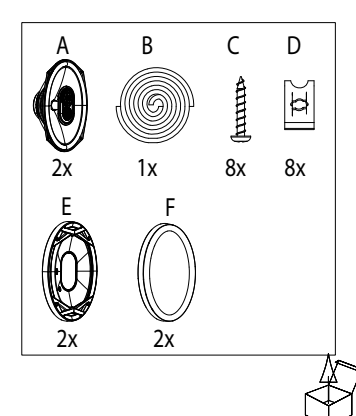


Installation manual
 Manuel d'installation
 Manual de instalación
 Manual de instalação
 Installationshandbuch
 Manuale d'installazione
 Installatiehandleiding
 Installasjonsveiledning
 Asennusopas
 Руководство по установке
 Installationsanvisning
 Installationsmanual
 設置マニュアル
 Instrukcja instalacji
 설치 설명서
 安装手册
 安裝手冊
 Panduan instalasi
 Kurulum kılavuzu

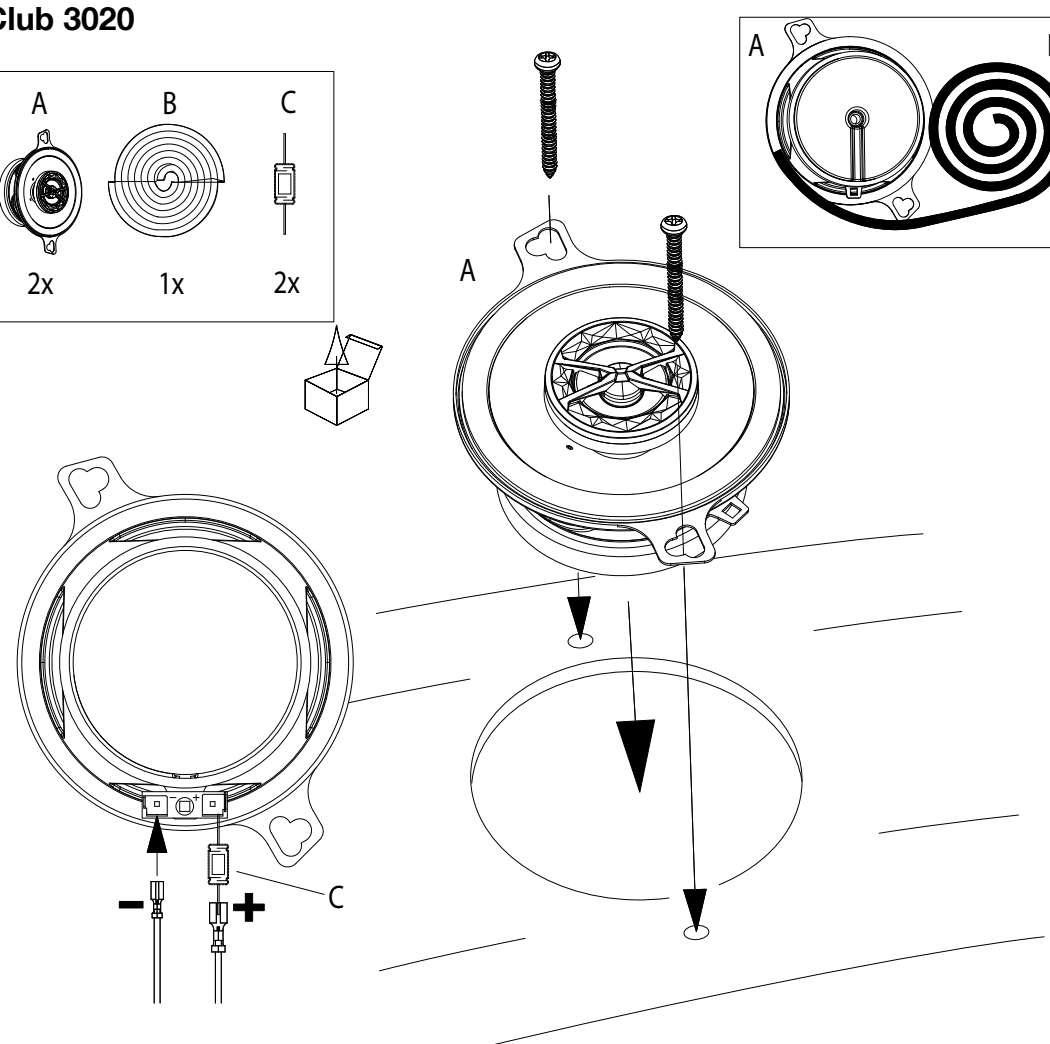
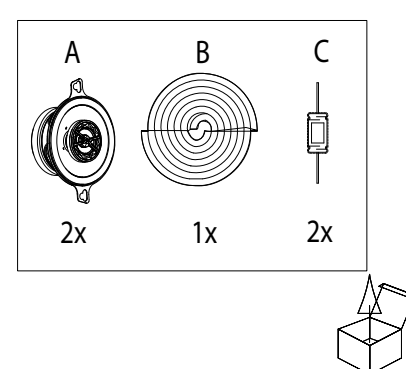
CLUB 6520



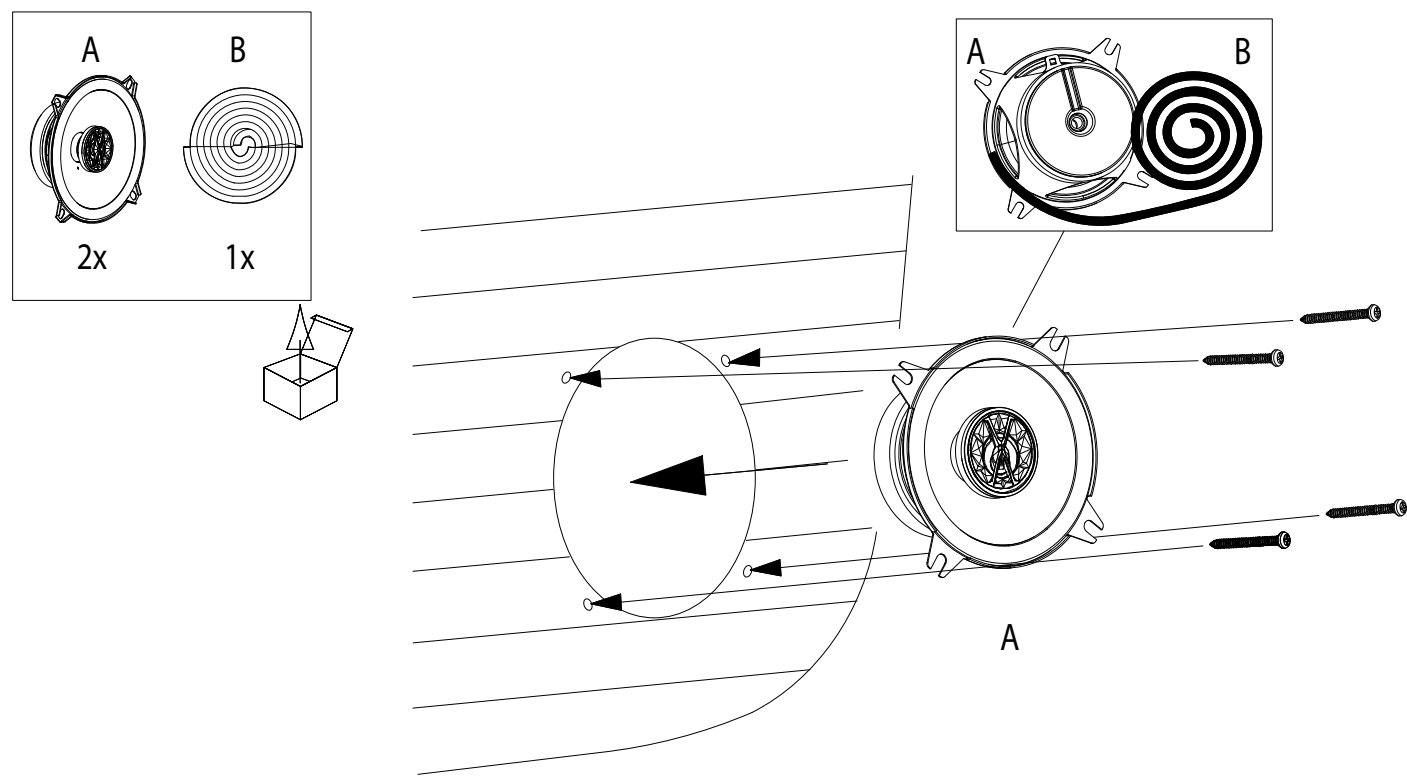
CLUB 9630



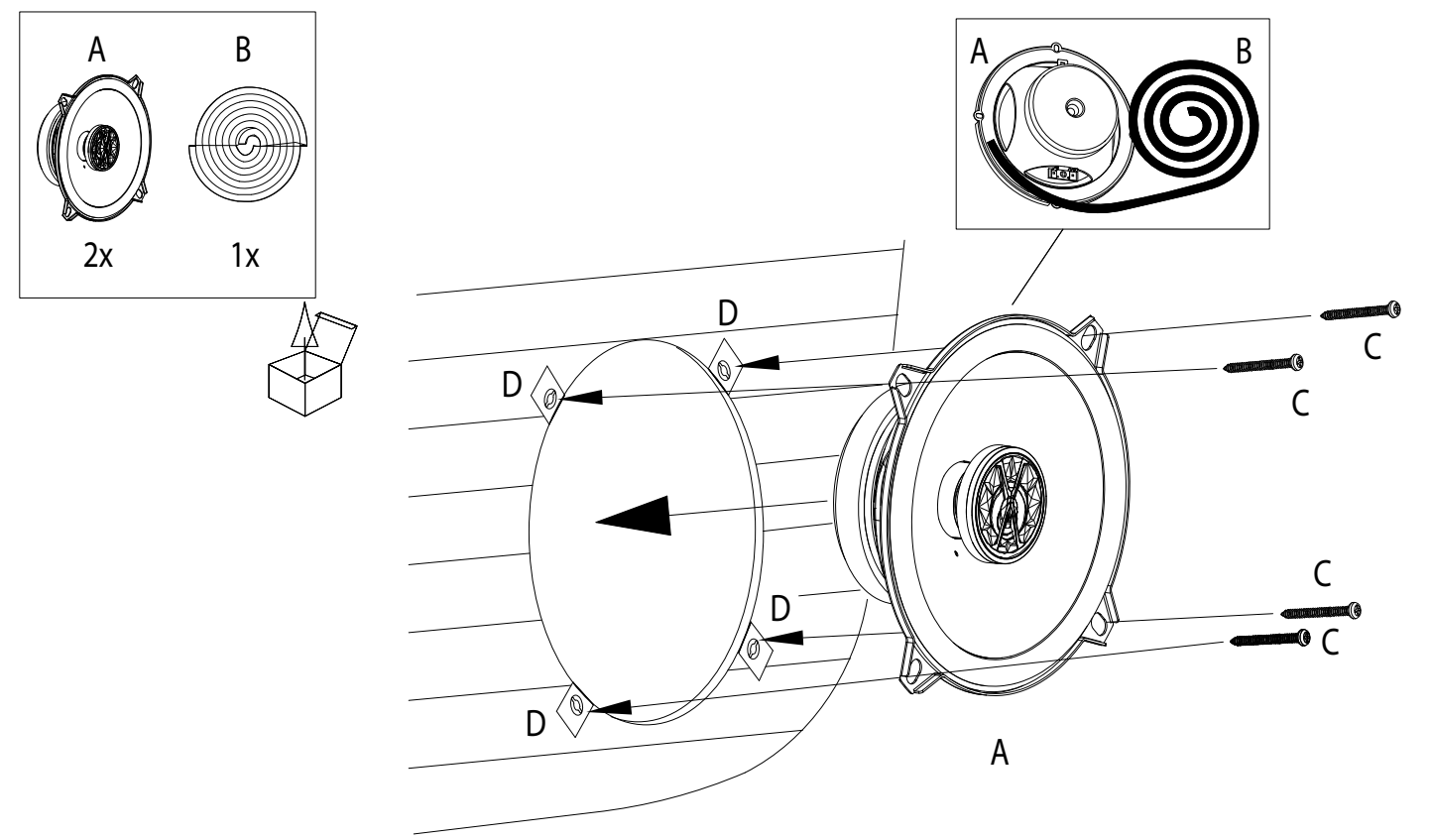
Club 3020



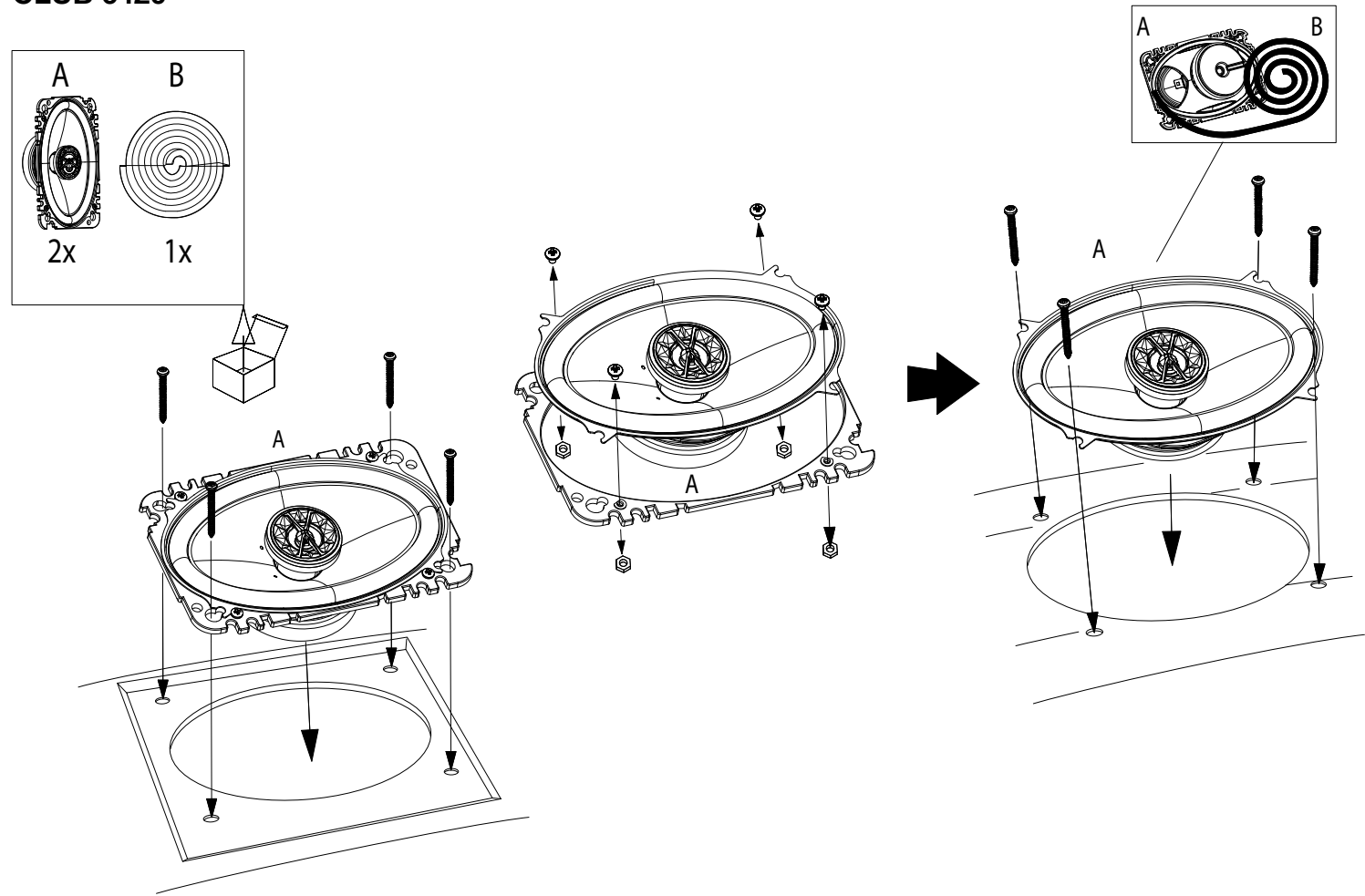
CLUB 4020



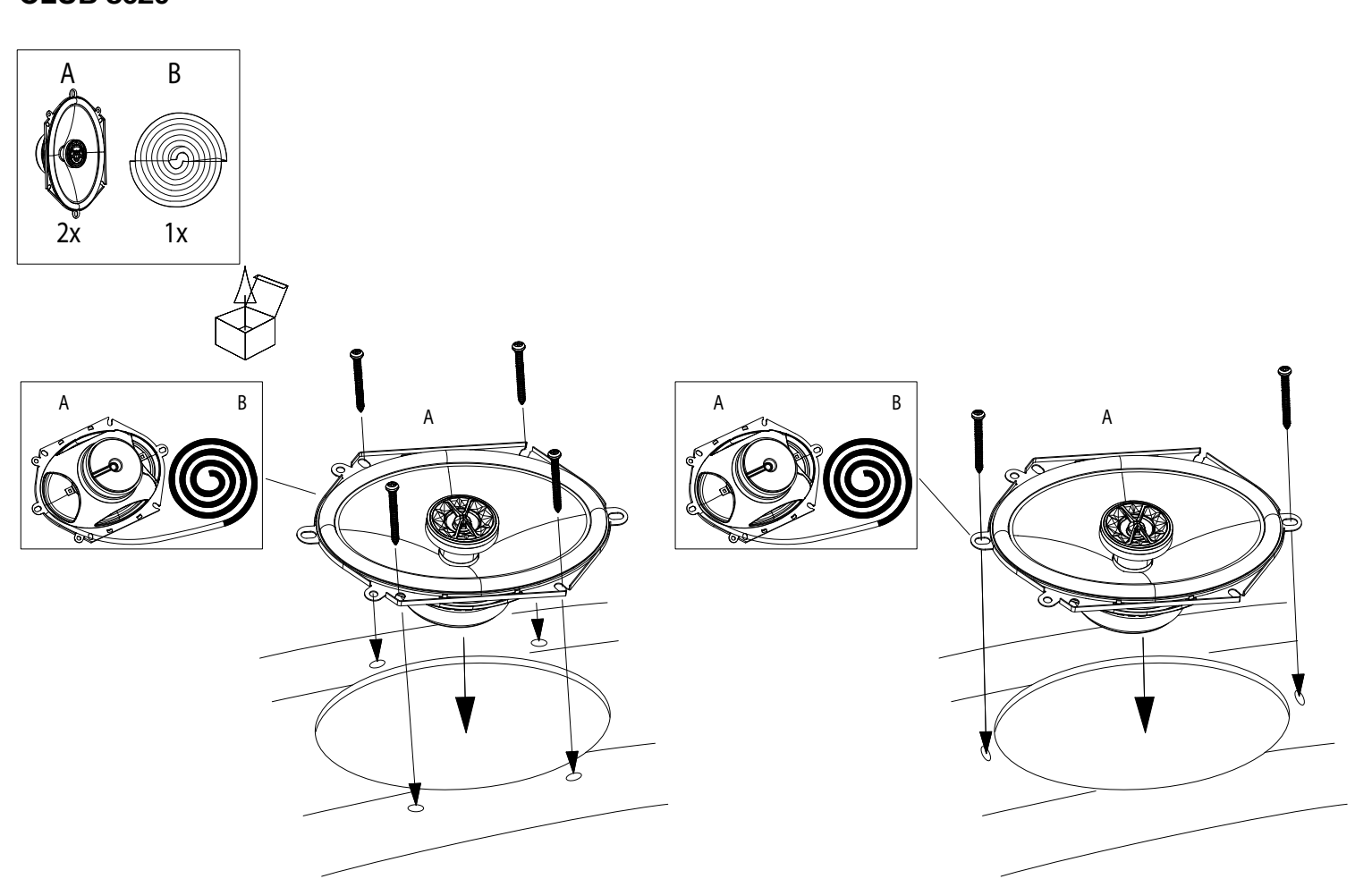
CLUB 5020



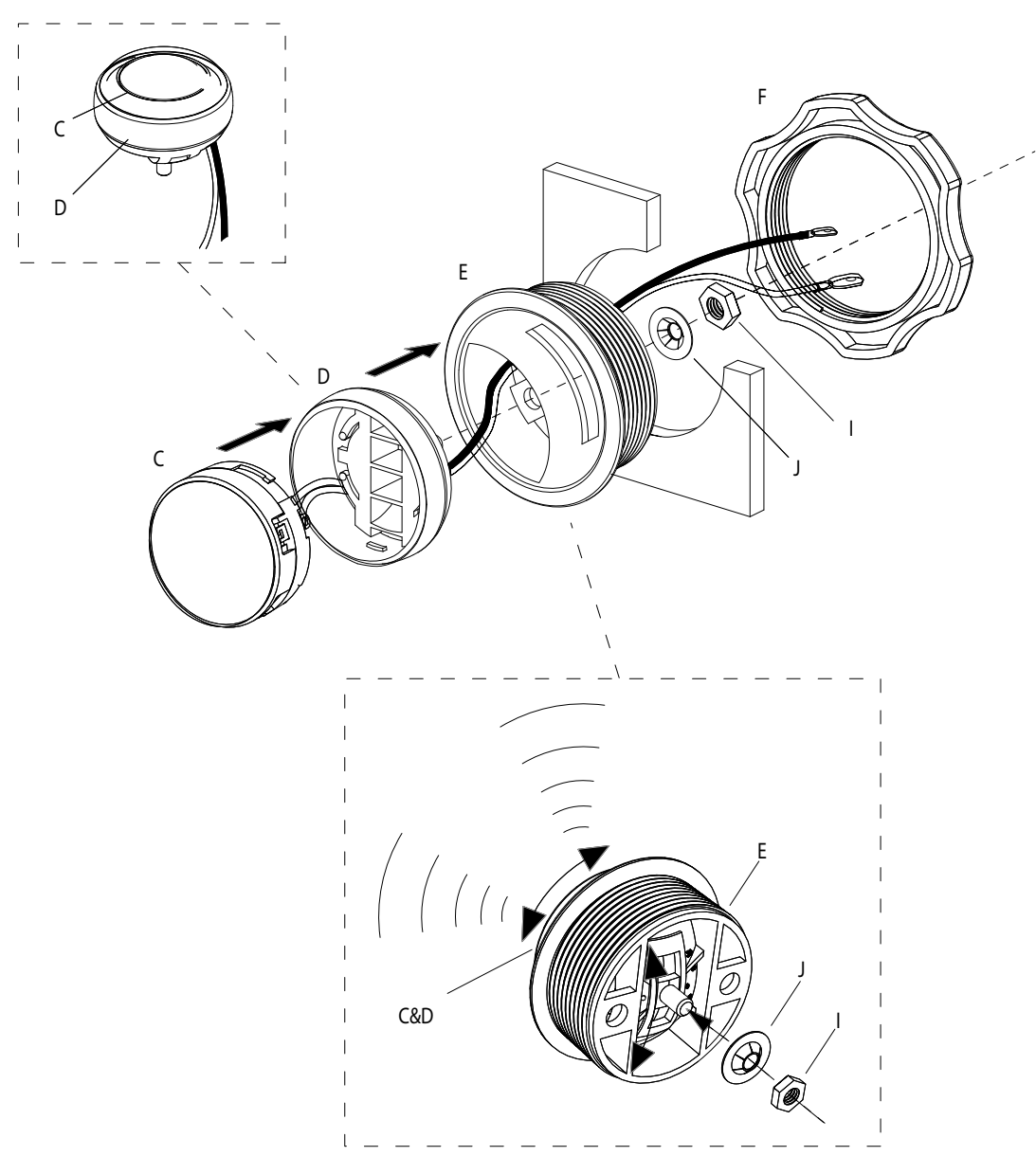
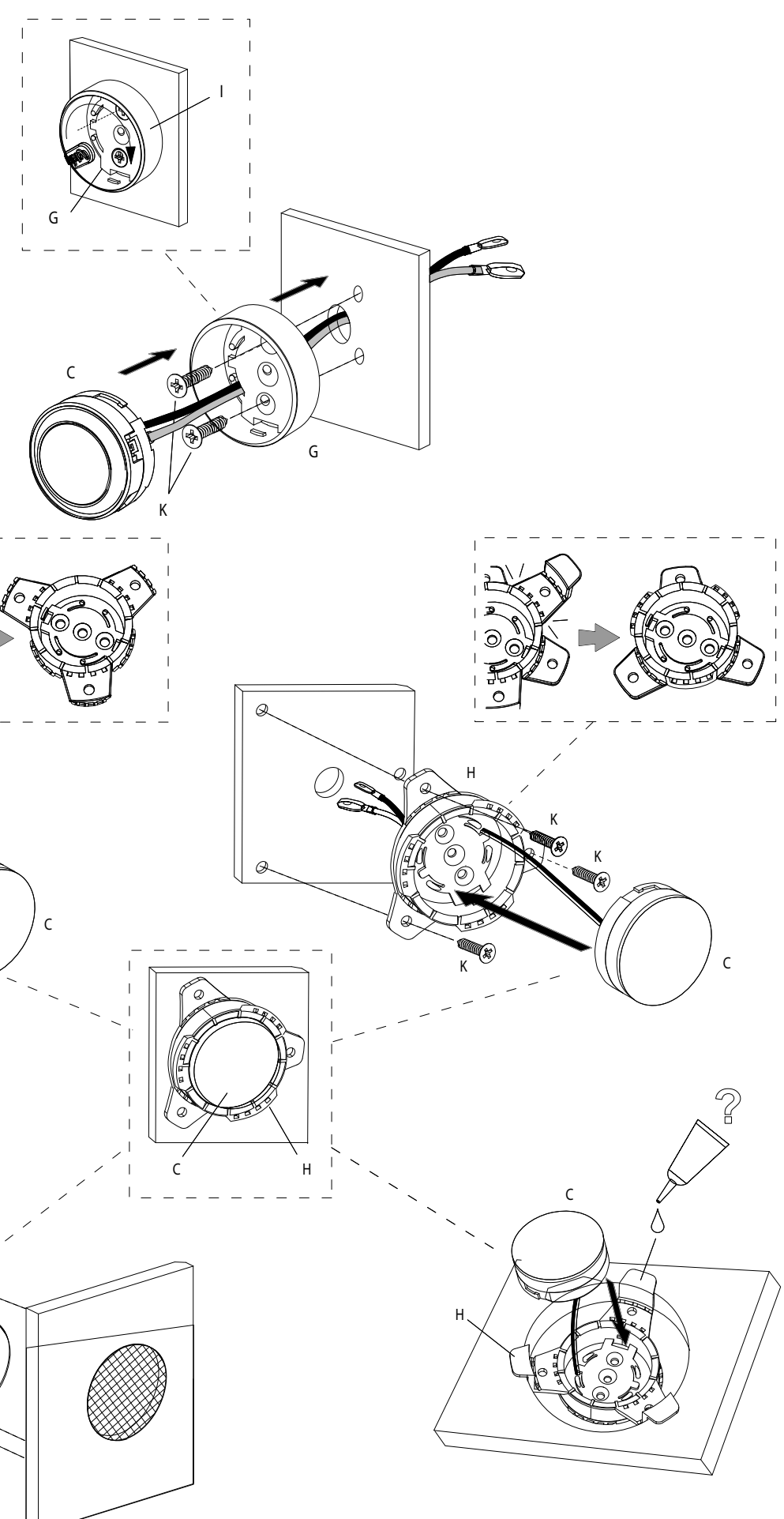
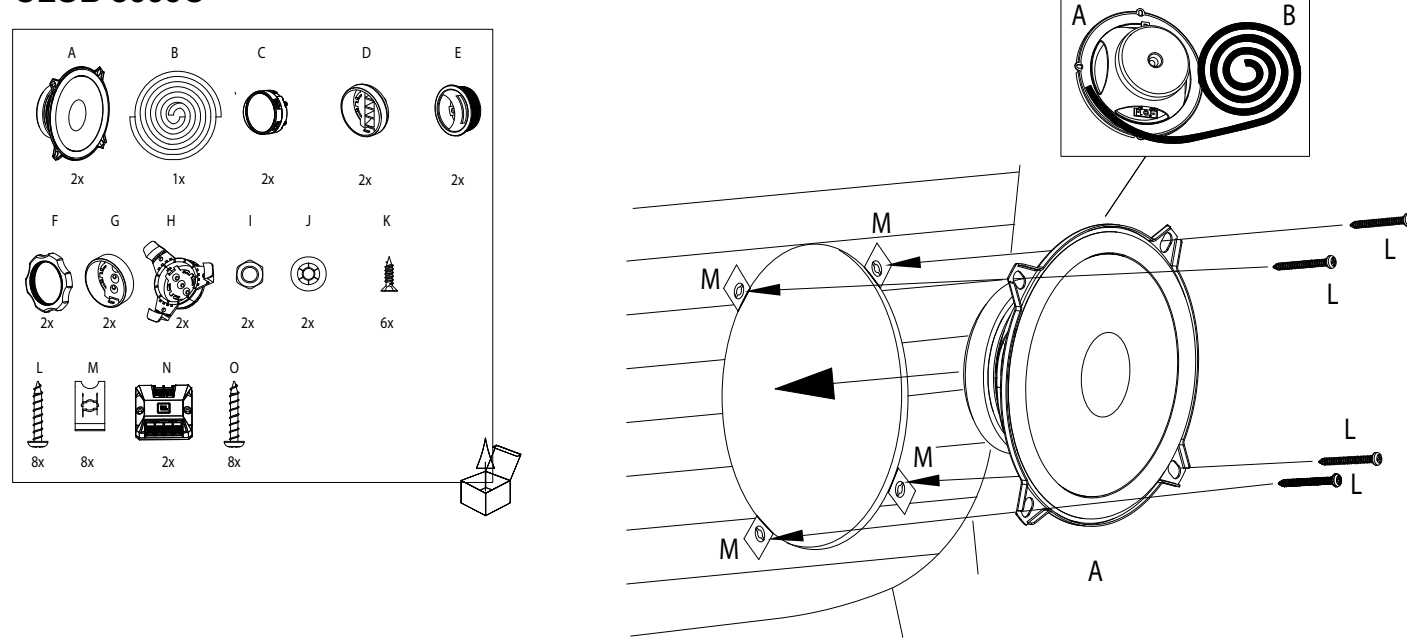
CLUB 6420



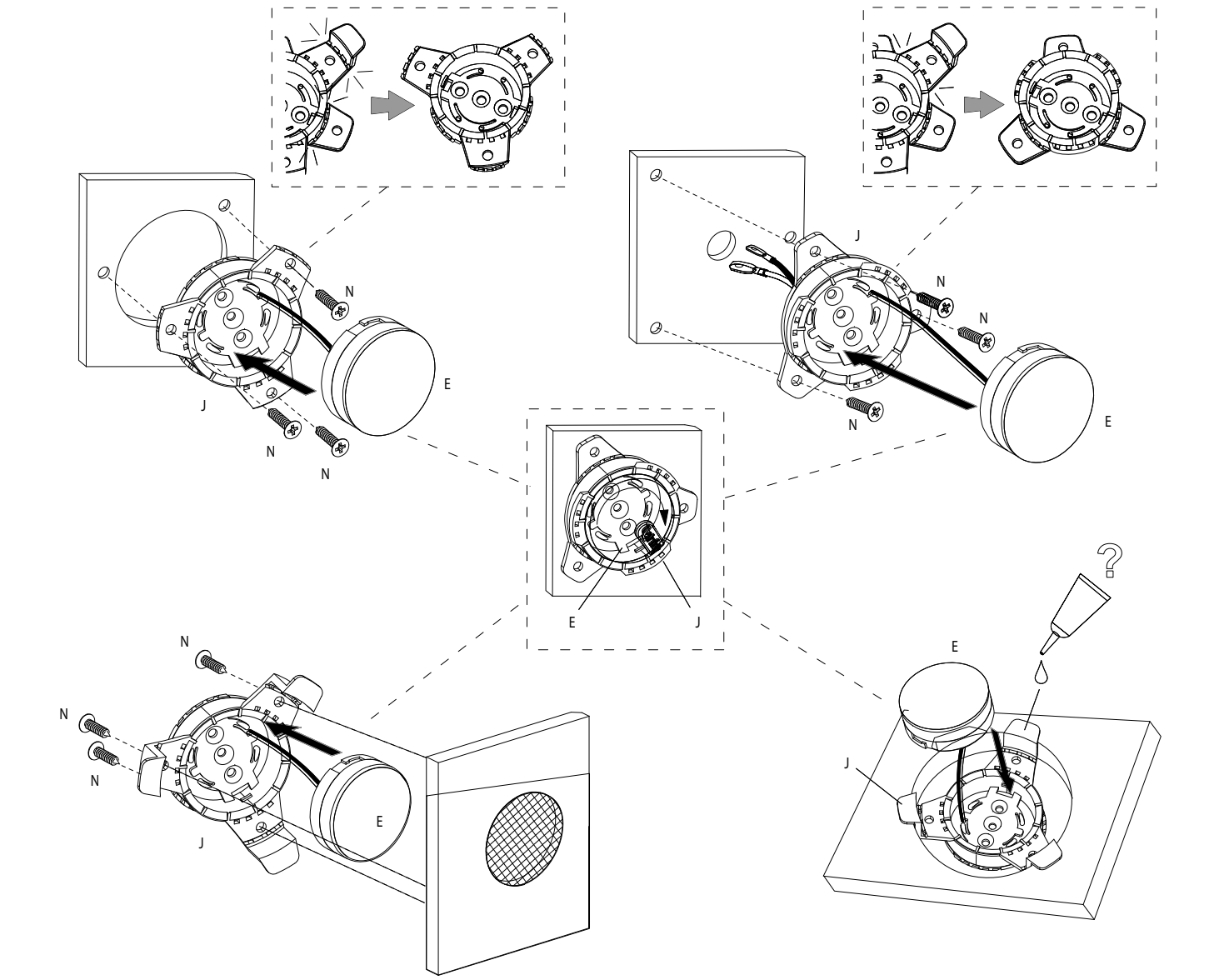
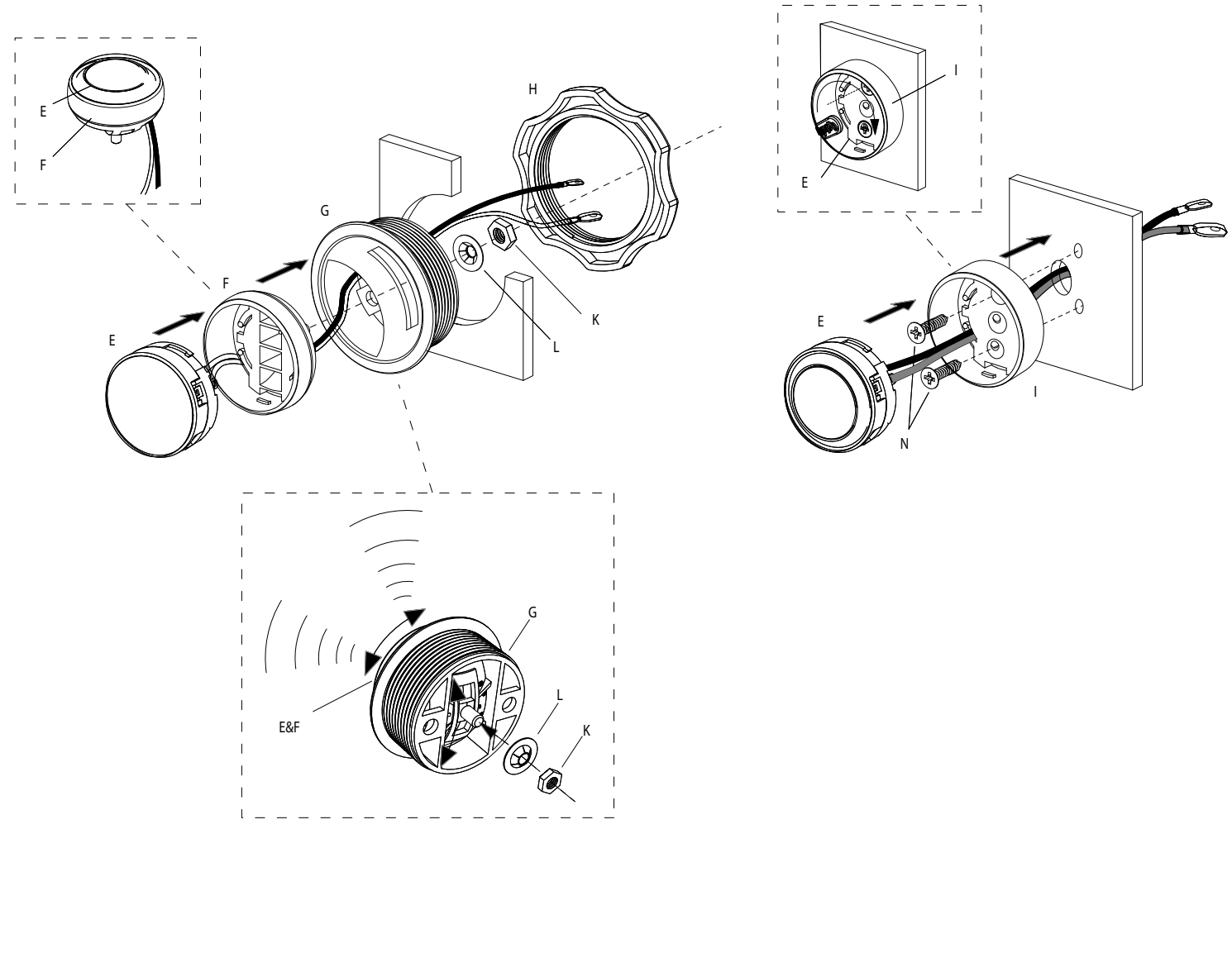
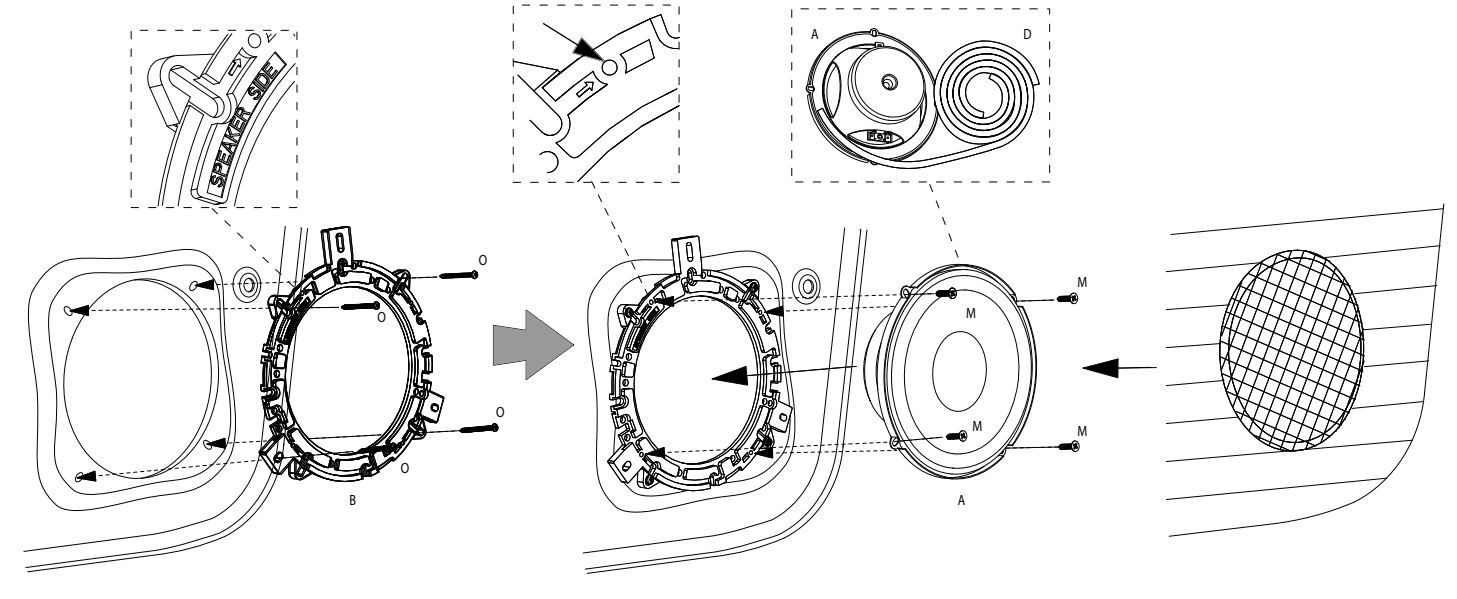
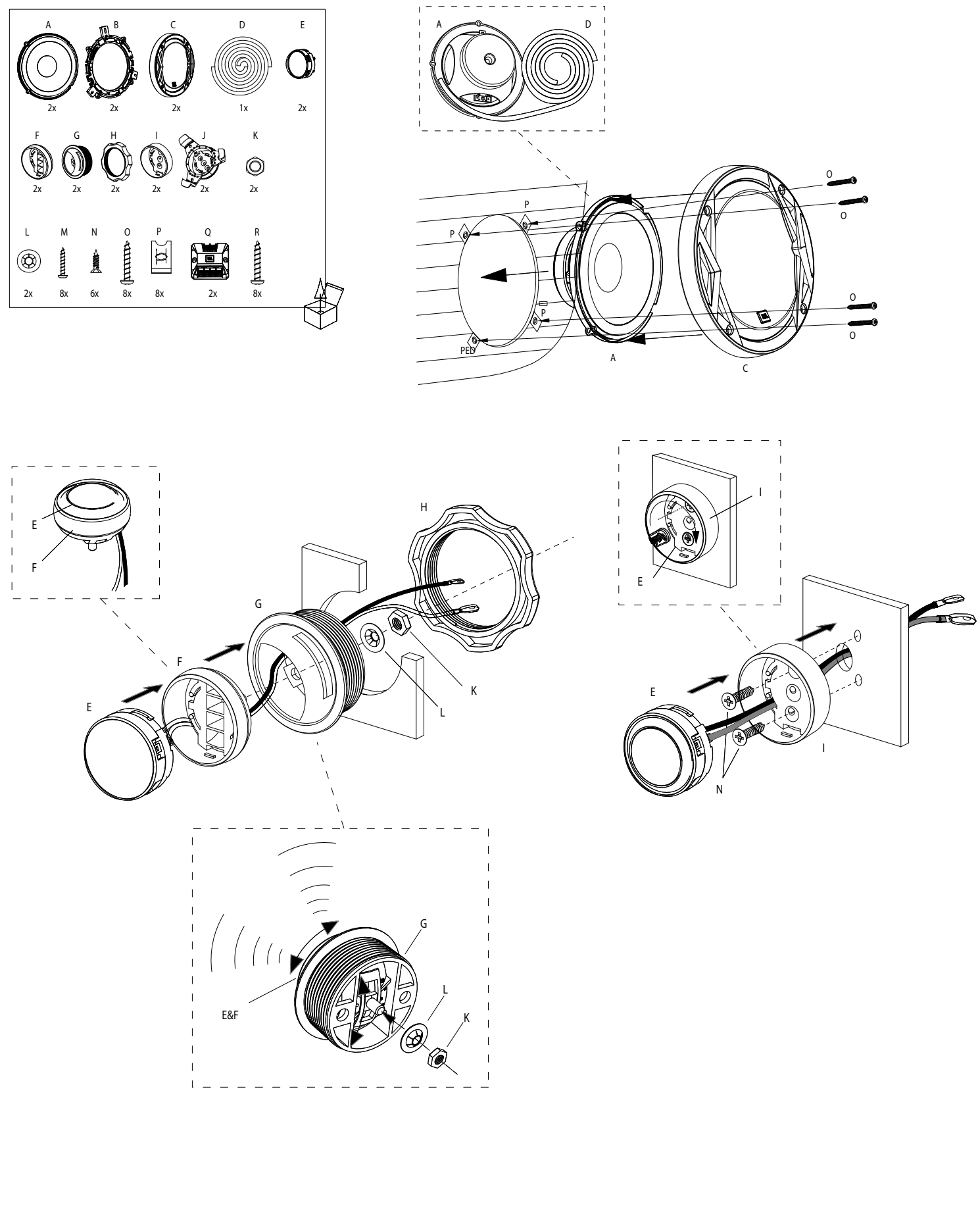
CLUB 8620



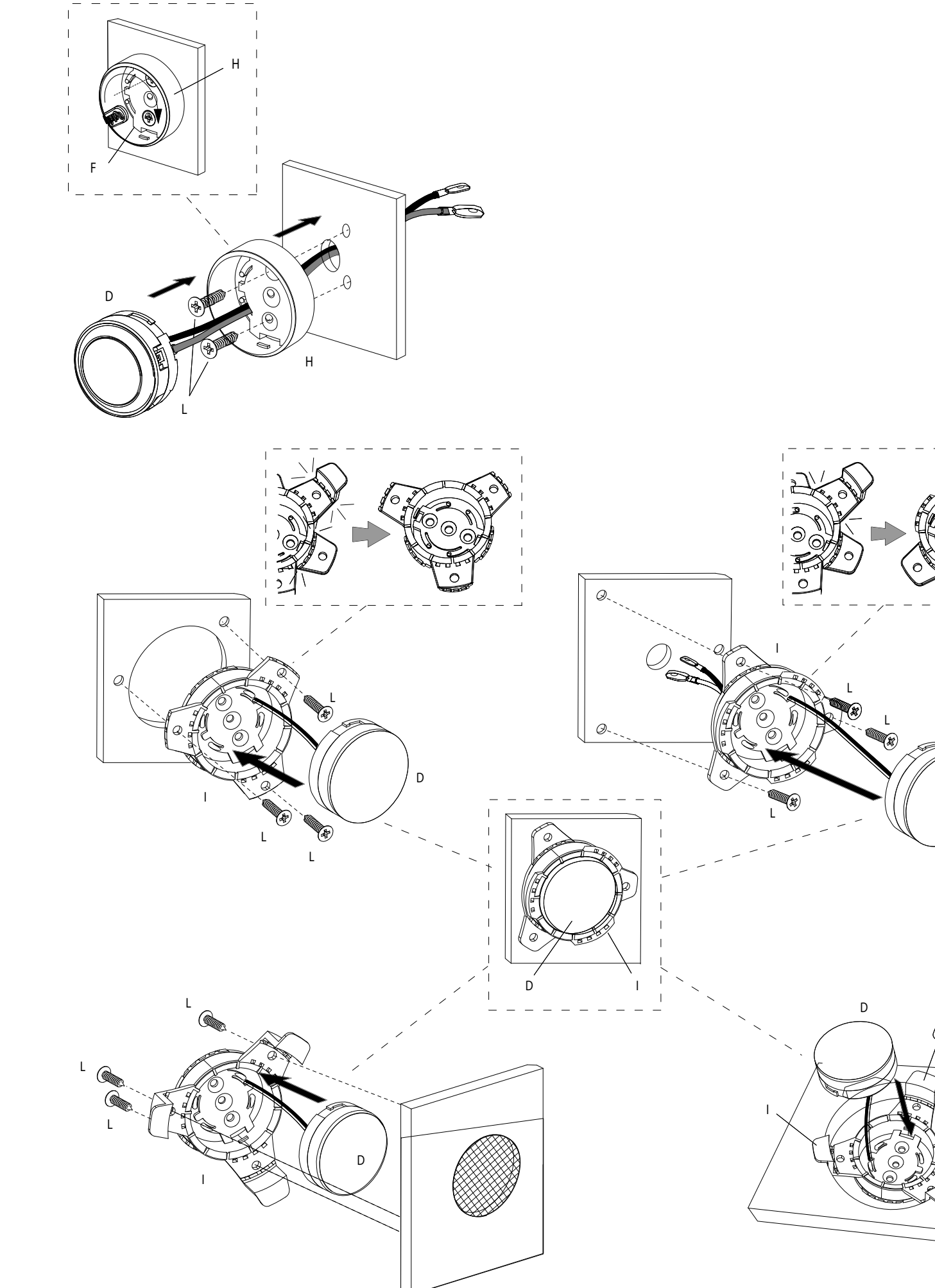
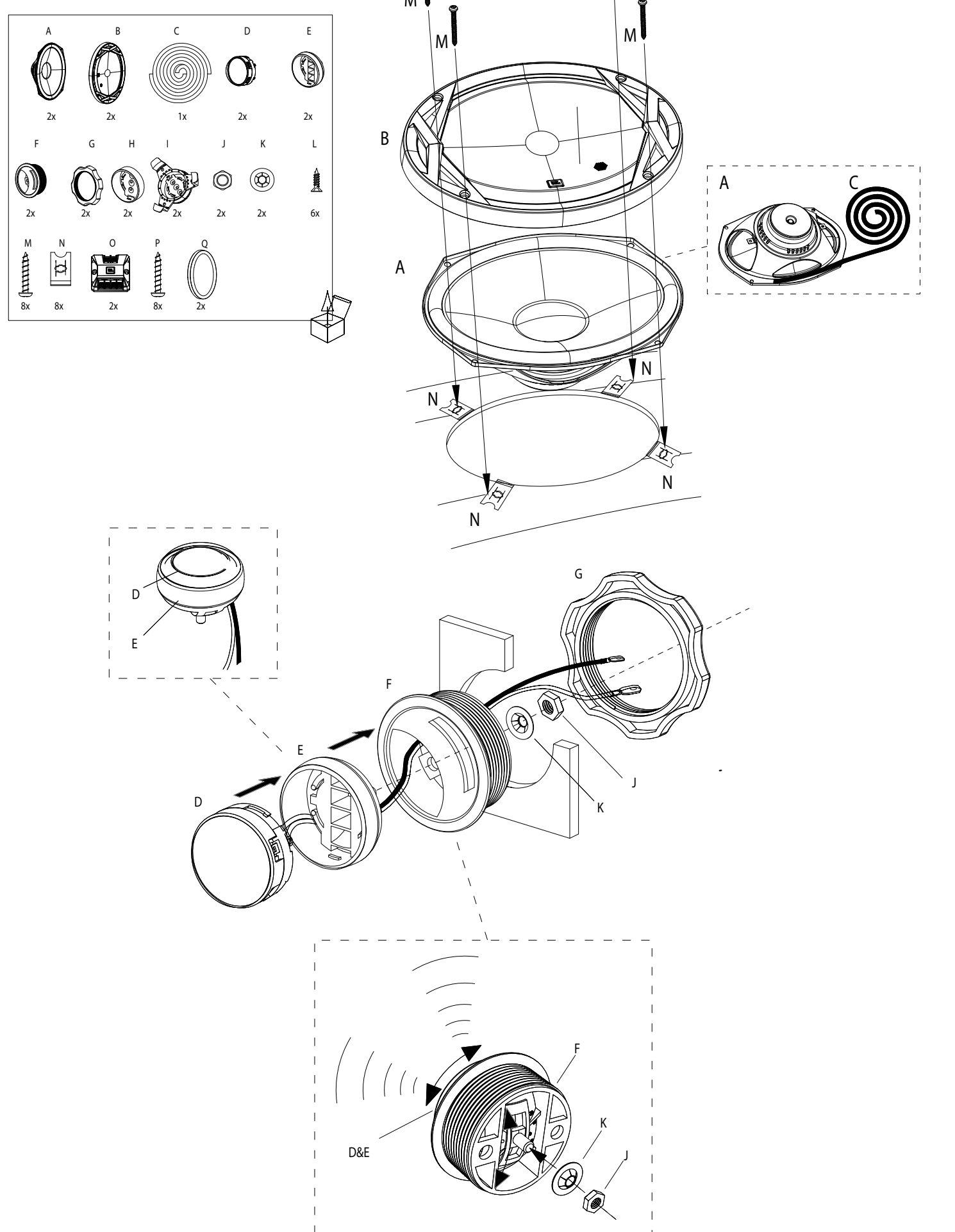
CLUB 5000C



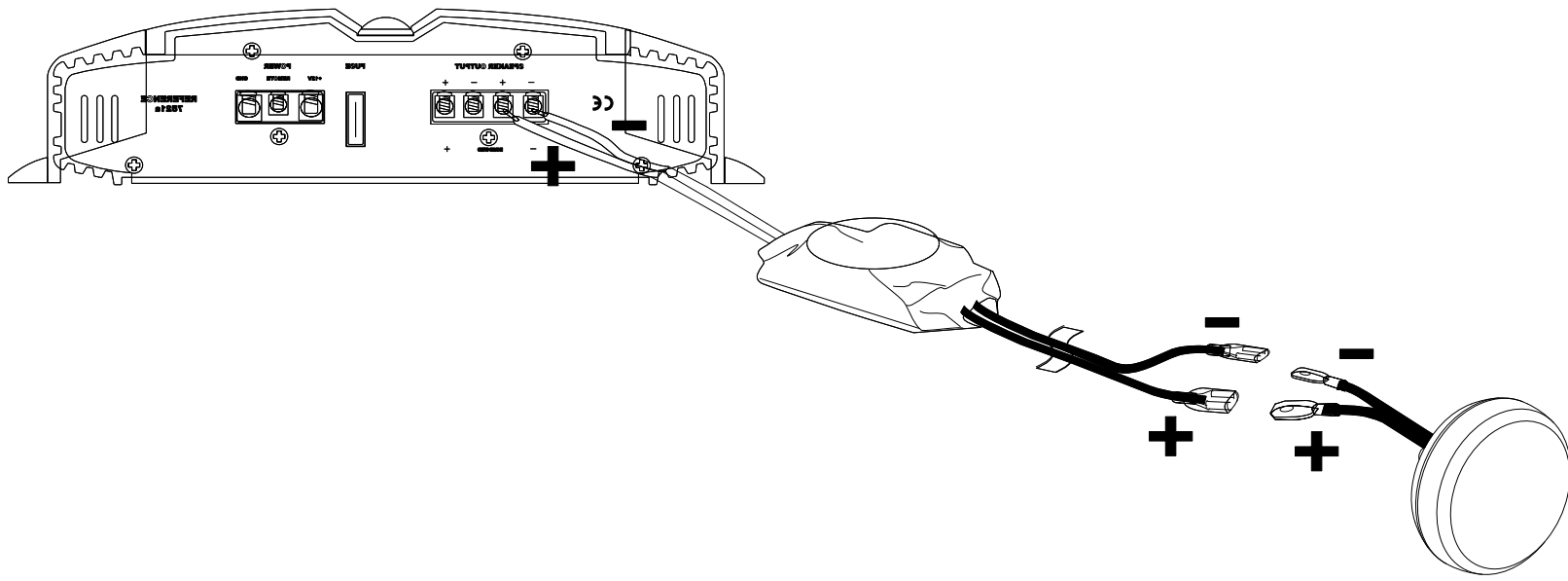
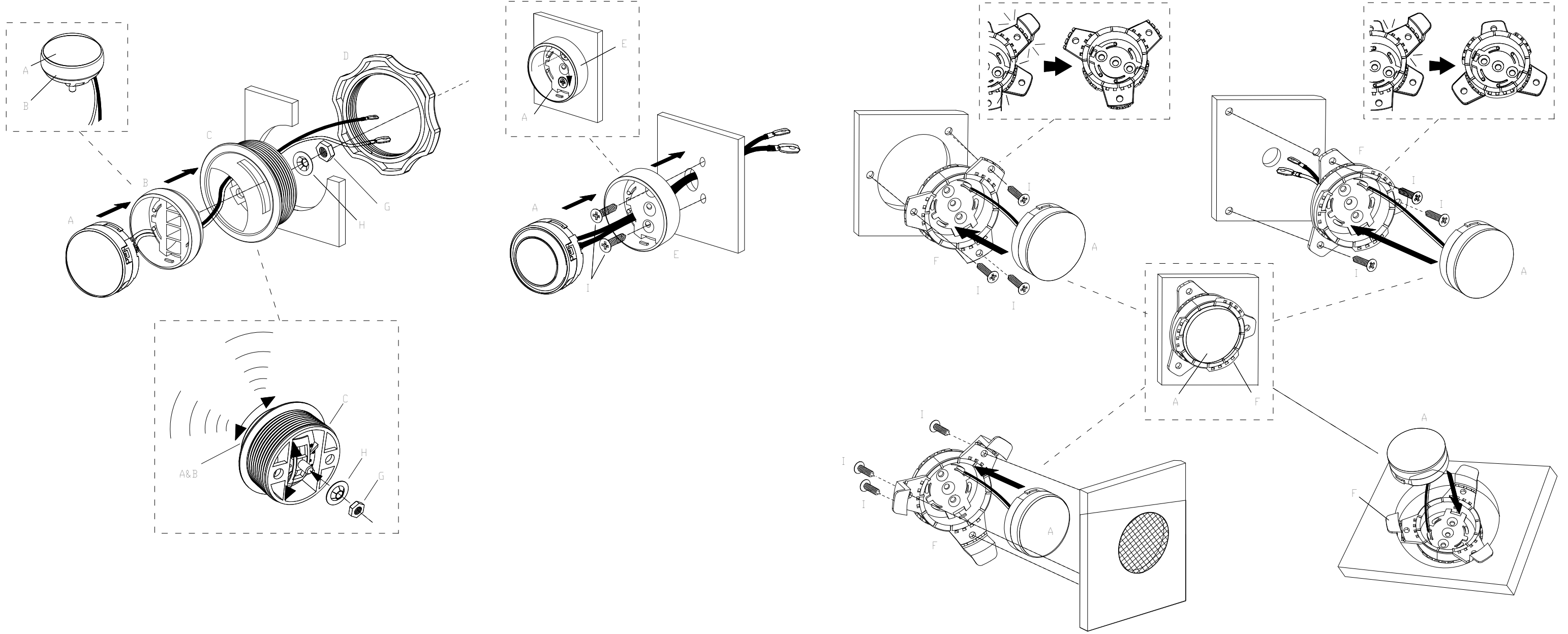
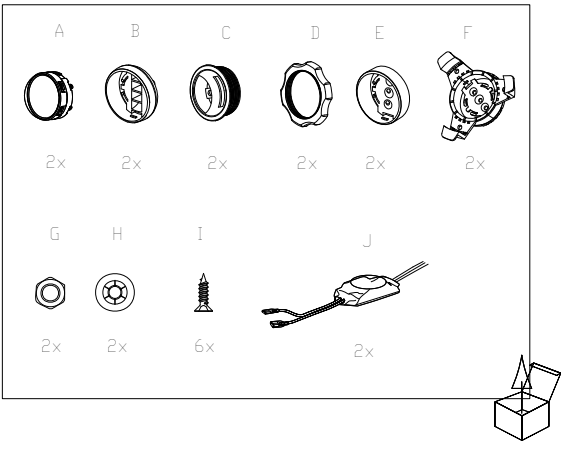
CLUB 6500C



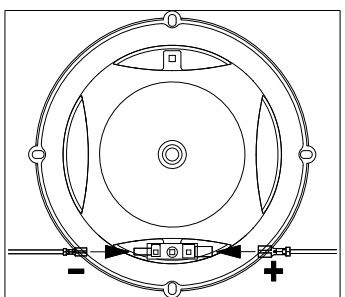
CLUB 9600C



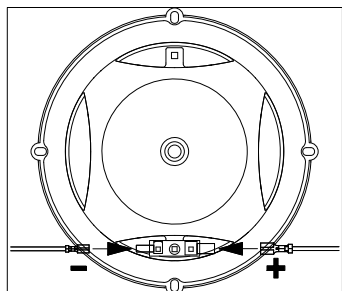
Club 750T



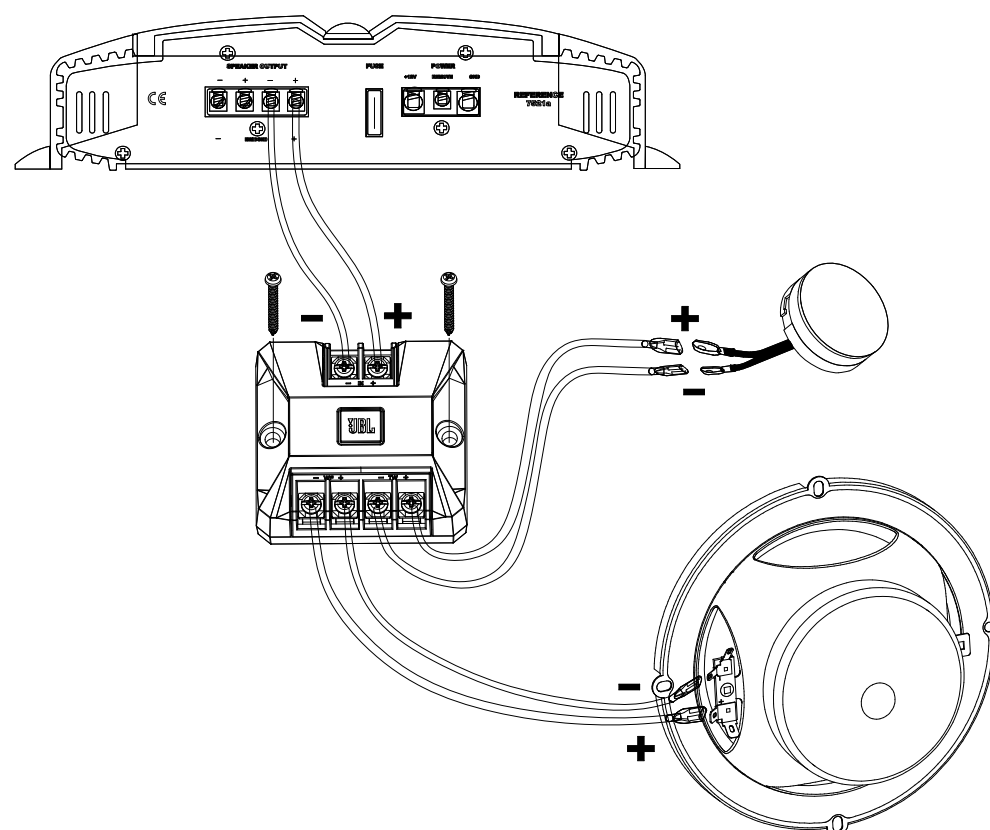
**CLUB 6420 / CLUB 8620 /
CLUB 5020 / CLUB 6520 /
CLUB 3020 / CLUB 4020 /
CLUB 9630**



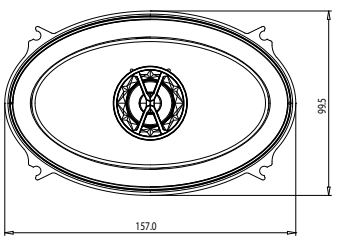
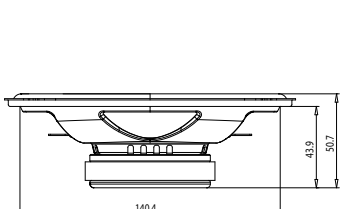
**CLUB 5000C / CLUB 6500C /
CLUB 9600C / CLUB 750T**



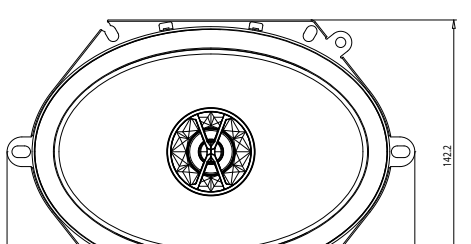
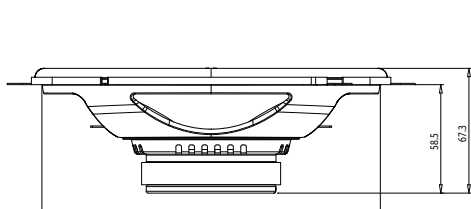
CLUB 5000C / CLUB 6500C / CLUB 9600C



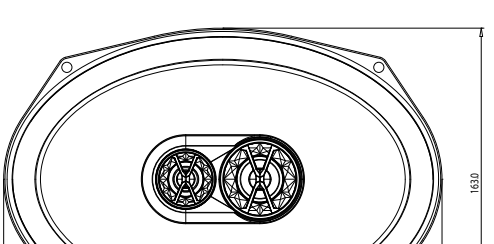
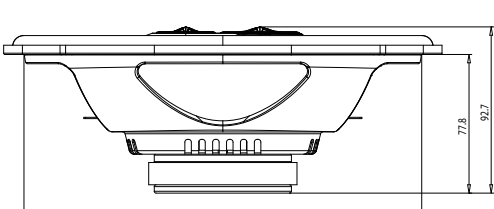
CLUB 6420



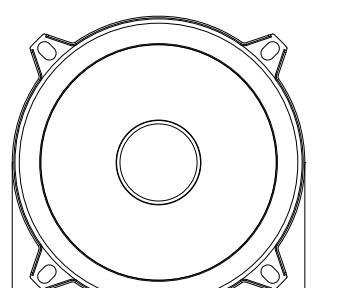
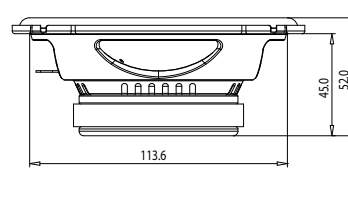
CLUB 8620



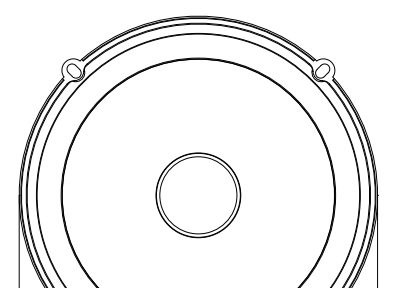
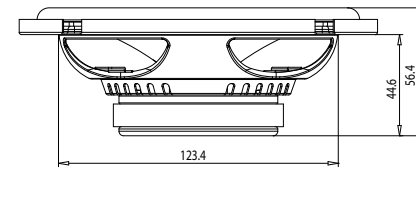
CLUB 9630



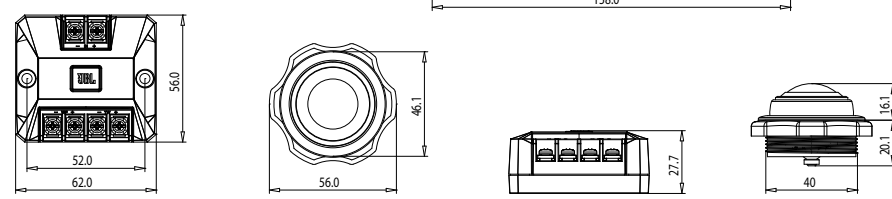
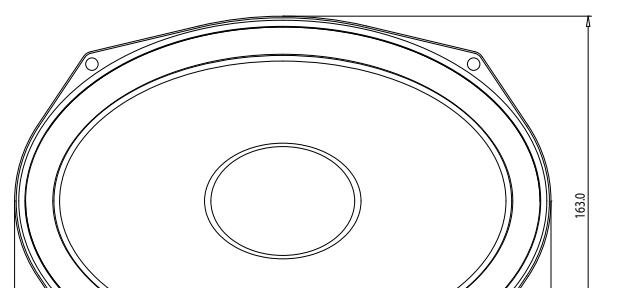
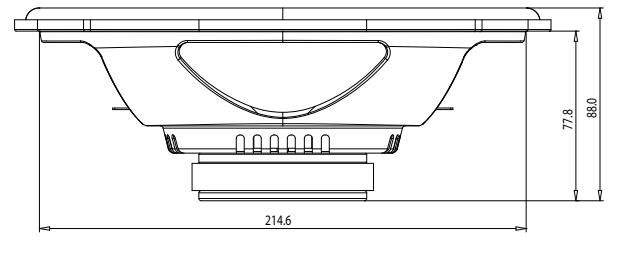
CLUB 5000C



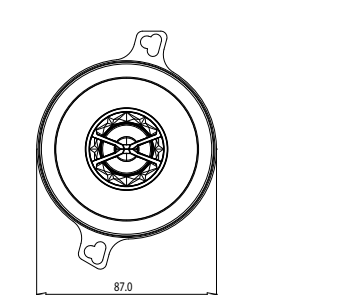
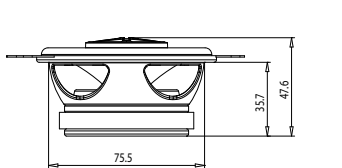
CLUB 6500C



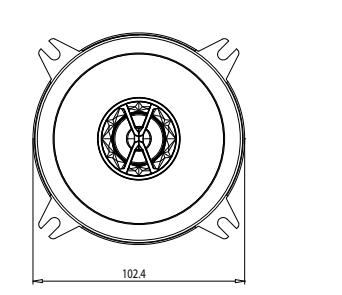
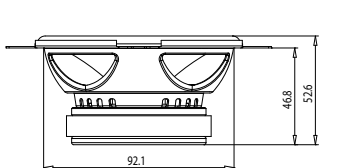
CLUB 9600C



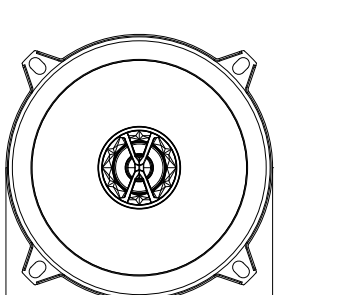
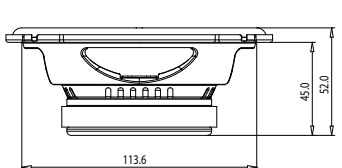
CLUB 3020



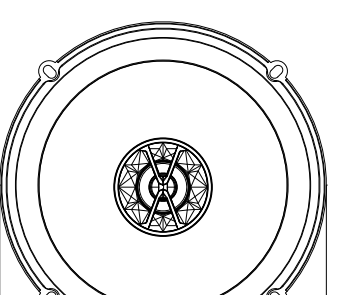
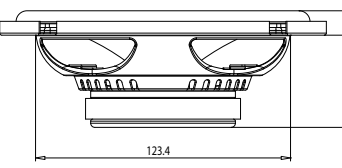
CLUB 4020



CLUB 5020



CLUB 6520



SPECIFICATIONS	CLUB 6520	CLUB 9630	CLUB 3020	CLUB 4020	CLUB 5020	CLUB 6420	CLUB 8620	CLUB 5000C	CLUB 6500C	CLUB 9600C	CLUB 750T
Type	6-1/2" (160mm) coaxial car speaker	6" x 9" three-way car speaker	3-1/2" (87mm) coaxial car speaker	4" (100mm) coaxial car speaker	5-1/4" (130mm) coaxial car speaker	4" x 6" coaxial car speaker	6" x 8" coaxial car speaker	5-1/4" (130mm) component speaker system	6-1/2" (160mm) component speaker system	6" x 9" component speaker system	3/4" (19mm) component tweeter
Continuos power handling	50W	80W	20W	30W	40W	30W	50W	50W	60W	90W	45W
Peak power handling	150W	240W	60W	90W	120W	105W	165W	165W	180W	270W	135W
Frequency response	55Hz-20kHz	50Hz-20kHz	90Hz-20kHz	75Hz-20kHz	75Hz-20kHz	75Hz-20kHz	65Hz-20kHz	70Hz-20kHz	55Hz-20kHz	50Hz-20kHz	3kHz-20kHz
Nominal impedance	3.0ohms	3.0ohms	3.0ohms	3.0ohms	3.0ohms	3.0ohms	3.0ohms	3.0ohms	3.0ohms	3.0ohms	3.0ohms
Sensitivity (2.83V/1m)	92dB	93dB	89dB	90dB	91dB	91dB	93dB	93dB	92dB	93dB	92dB
External diameter	6-1/4" (158mm)	9-5/16" X 6-7/16" (236.5mm X 163mm)	3-7/16" (87mm)	4-1/16" (102.4mm)	5-1/8" (129mm)	6-3/16" X 3-3/8" (157mm X 99.5mm)	8-1/16" X 5-5/8" (220mm X 142.2mm)	5-1/8" (129mm)	6-1/4" (158mm)	9-5/16" X 6-7/16" (236.5mm X 163mm)	2-1/4" (56mm)
Mounting cutout diameter	4-7/8" (123.4mm)	8-1/2" X 5-3/4" (214.6mm X 144.6mm)	3" (75.5mm)	3-11/16" (92.1mm)	4-1/2" (113.6mm)	5-9/16" X 3-3/8" (140.4mm X 85.1mm)	7-1/4" X 5" (182.6mm X 125.6mm)	4-1/2" (113.6mm)	4-7/8" (123.4mm)	8-1/2" X 5-3/4" (214.6mm X 144.6mm)	1-5/8" (40mm)
Total depth	2-1/4" (56.4mm)	3-1/16" (92.7mm)	1-7/8" (47.6mm)	2-1/8" (52.6mm)	2-1/16" (52mm)	2" (50.7mm)	2-1/16" (67.3mm)	2-1/16" (52mm)	2-1/4" (56.4mm)	3-1/2" (88mm)	1-7/16" (36.1mm)
Mounting depth	1-13/16" (44.6mm)	3-1/8" (77.8mm)	1-7/16" (35.7mm)	1-7/8" (46.8mm)	1-13/16" (45mm)	1-3/4" (43.9mm)	2-5/16" (68.5mm)	1-13/16" (45mm)	1-13/16" (44.6mm)	3-1/8" (77.8mm)	13/16" (20mm)

SPECIFICATIONS	CLUB 6520	CLUB 9630	CLUB 3020	CLUB 4020	CLUB 5020	CLUB 6420	CLUB 8620	CLUB 5000C	CLUB 6500C	CLUB 9600C	CLUB 750T
Type	Haut-parleur automobile coaxial 160mm (6-1/2")	Haut-parleur automobile trois voies 152 mm x 229 mm (6" x 9")	Haut-parleur automobile coaxial 87mm (3-1/2")	Haut-parleur automobile coaxial 100 mm (4")	Haut-parleur automobile coaxial 130 mm (5-1/4")	Haut-parleur automobile coaxial 152 mm x 203 mm (6" x 8")	Haut-parleur automobile coaxial 152 mm x 203 mm (6" x 8")	Système haut-parleur composant 130 mm (5-1/4")	Système haut-parleur composant 160 mm (6-1/2")	Système haut-parleur composant 152 mm x 229 mm (6" x 9")	Haut-parleur aigu composant 19 mm (3/4")
Puissance admissible continue	50W	80W	20W	30W	40W	30W	50W	50W	60W	90W	45W
Puissance admissible crête	150W	240W	60W	90W	120W	105W	165W	165W	180W	270W	135W
Réponse en fréquence	55Hz-20kHz	50Hz-20kHz	90Hz-20kHz	75Hz-20kHz	75Hz-20kHz	75Hz-20kHz	65Hz-20kHz	70Hz-20kHz	55Hz-20kHz	50Hz-20kHz	3kHz-20kHz
Impédance nominale	3.0ohms	3.0ohms	3.0ohms	3.0ohms	3.0ohms	3.0ohms	3.0ohms	3.0ohms	3.0ohms	3.0ohms	3.0ohms
Sensibilité (2.83V/1m)	92dB	93dB	89dB	90dB	91dB	91dB	93dB	93dB	92dB	93dB	92dB
Diamètre externe	6-1/4" (158mm)	9-5/16" X 6-7/16" (236.5mm X 163mm)	3-7/16" (87mm)	4-1/16" (102.4mm)	5-1/8" (129mm)	6-3/16" X 3-3/8" (157mm X 99.5mm)	8-1/16" X 5-5/8" (220mm X 142.2mm)	5-1/8" (129mm)	6-1/4" (158mm)	9-5/16" X 6-7/16" (236.5mm X 163mm)	2-1/4" (56mm)
Diamètre de découpe de montage	4-7/8" (123.4mm)	8-1/2" X 5-3/4" (214.6mm X 144.6mm)	3" (75.5mm)	3-11/16" (92.1mm)	4-1/2" (113.6mm)	5-9/16" X 3-3/8" (140.4mm X 85.1mm)	7-1/4" X 5" (182.6mm X 125.6mm)	4-1/2" (113.6mm)	4-7/8" (123.4mm)	8-1/2" X 5-3/4" (214.6mm X 144.6mm)	1-5/8" (40mm)
Profondeur totale	2-1/4" (56.4mm)	3-1/16" (92.7mm)	1-7/8" (47.6mm)	2-1/8" (52.6mm)	2-1/16" (52mm)	2" (50.7mm)	2-1/16" (67.3mm)	2-1/16" (52mm)	2-1/4" (56.4mm)	3-1/2" (88mm)	1-7/16" (36.1mm)
Profondeur de montage	1-13/16" (44.6mm)	3-1/8" (77.8mm)	1-7/16" (35.7mm)	1-7/8" (46.8mm)	1-13/16" (45mm)	1-3/4" (43.9mm)	2-5/16" (68.5mm)	1-13/16" (45mm)	1-13/16" (44.6mm)	3-1/8" (77.8mm)	13/16" (20mm)

TECHNISCHE DATEN	CLUB 6520	CLUB 9630	CLUB 3020	CLUB 4020	CLUB 5020	CLUB 6420	CLUB 8620	CLUB 5000C	CLUB 6500C	CLUB 9600C	CLUB 750T
Typ	Koaxial-Lautsprecher fürs Auto (160mm)	Dringel-Lautsprecher fürs Auto (6" x 9")	Koaxial-Lautsprecher fürs Auto (87mm)	Koaxial-Lautsprecher fürs Auto (100mm)	Koaxial-Lautsprecher fürs Auto (130mm)	Koaxial-Lautsprecher fürs Auto (4" x 6")	Koaxial-Lautsprecher fürs Auto (6" x 8")	Component-Lautsprecher-System (130mm)	Component-Lautsprecher-System (160mm)	Component-Lautsprecher-System (6" x 9")	Component-Hochtöner (19mm)
Kontinuierliche Leistung	50W	80W	20W	30W	40W	30W	50W	50W	60W	90W	45W
Spitzenleistung	150W	240W	60W	90W	120W	105W	165W	165W	180W	270W	135W
Frequenzbereich	55Hz-20kHz	50Hz-20kHz	90Hz-20kHz	75Hz-20kHz	75Hz-20kHz	75Hz-20kHz	65Hz-20kHz	70Hz-20kHz	55Hz-20kHz	50Hz-20kHz	3kHz-20kHz
Nennimpedanz	3.0ohms	3.0ohms	3.0ohms	3.0ohms	3.0ohms	3.0ohms	3.0ohms	3.0ohms	3.0ohms	3.0ohms	3.0ohms
Empfindlichkeit (2.83V/1m)	92dB	93dB	89dB	90dB	91dB	91dB	93dB	93dB	92dB	93dB	92dB
Äußerer Durchmesser	6-1/4" (158mm)	9-5/16" X 6-7/16" (236.5mm X 163mm)	3-7/16" (87mm)	4-1/16" (102.4mm)	5-1/8" (129mm)	6-3/16" X 3-3/8" (157mm X 99.5mm)	8-1/16" X 5-5/8" (220mm X 142.2mm)	5-1/8" (129mm)	6-1/4" (158mm)	9-5/16" X 6-7/16" (236.5mm X 163mm)	2-1/4" (56mm)
Montageausschnitt-Durchmesser	4-7/8" (123.4mm)	8-1/2" X 5-3/4" (214.6mm X 144.6mm)	3" (75.5mm)	3-11/16" (92.1mm)	4-1/2" (113.6mm)	5-9/16" X 3-3/8" (140.4mm X 85.1mm)	7-1/4" X 5" (182.6mm X 125.6mm)	4-1/2" (113.6mm)	4-7/8" (123.4mm)	8-1/2" X 5-3/4" (214.6mm X 144.6mm)	1-5/8" (40mm)
Gesamtiefe	2-1/4" (56.4mm)	3-1/16" (92.7mm)	1-7/8" (47.6mm)	2-1/8" (52.6mm)	2-1/16" (52mm)	2" (50.7mm)	2-1/16" (67.3mm)	2-1/16" (52mm)	2-1/4" (56.4mm)	3-1/2" (88mm)	1-7/16" (36.1mm)
Montagetiefe	1-13/16" (44.6mm)	3-1/8" (77.8mm)	1-7/16" (35.7mm)	1-7/8" (46.8mm)	1-13/16" (45mm)	1-3/4" (43.9mm)	2-5/16" (68.5mm)	1-13/16" (45mm)	1-13/16" (44.6mm)	3-1/8" (77.8mm)	13/16" (20mm)

SPECIFICHE	CLUB 6520	CLUB 9630	CLUB 3020	CLUB 4020	CLUB 5020	CLUB 6420	CLUB 8620	CLUB 5000C	CLUB 6500C	CLUB 9600C	CLUB 750T
Descrizione	Diffusore Coassiale Car Audio (160mm)	Diffusore Car Audio a Tre Vie (6" x 9")	Diffusore Coassiale Car Audio (87mm)	Diffusore Coassiale Car Audio (100mm)	Diffusore Coassiale Car Audio (130mm)	Diffusore Coassiale Car Audio (4" x 6")	Diffusore Coassiale Car Audio (6" x 8")	Componenti a componenti da 130mm	Componenti a componenti da 160mm	Componenti a componenti da 152mm	Tweeter da 19mm
Tendenza in potenza continua	50W	80W	20W	30W	40W	30W	50W	50W	60W	90W	45W
Tendenza in potenza, picco	150W	240W	60W	90W	120W	105W	165W	165W	180W	270W	135W
Risposta in frequenza	55Hz-20kHz	50Hz-20kHz	90Hz-20kHz	75Hz-20kHz	75Hz-20kHz	75Hz-20kHz	65Hz-20kHz	70Hz-20kHz	55Hz-20kHz	50Hz-20kHz	3kHz-20kHz
Nominale impedenza	3.0ohms	3.0ohms	3.0ohms	3.0ohms	3.0ohms	3.0ohms	3.0ohms	3.0ohms	3.0ohms	3.0ohms	3.0ohms
Sensibilità (2.83 V/1m)	92dB	93dB	89dB	90dB	91dB	91dB	93dB	93dB	92dB	93dB	92dB
Diametro esterno	6-1/4" (158mm)	9-5/16" X 6-7/16" (236.5mm X 163mm)	3-7/16" (87mm)	4-1/16" (102.4mm)	5-1/8" (129mm)	6-3/16" X 3-3/8" (157mm X 99.5mm)	8-1/16" X 5-5/8" (220mm X 142.2mm)	5-1/8" (129mm)	6-1/4" (158mm)	9-5/16" X 6-7/16" (236.5mm X 163mm)	2-1/4" (56mm)
Diametro foro per montaggio	4-7/8" (123.4mm)	8-1/2" X 5-3/4" (214.6mm X 144.6mm)	3" (75.5mm)	3-11/16" (92.1mm)	4-1/2" (113.6mm)	5-9/16" X 3-3/8" (140.4mm X 85.1mm)	7-1/4" X 5" (182.6mm X 125.6mm)	4-1/2" (113.6mm)	4-7/8" (123.4mm)	8-1/2" X 5-3/4" (214.6mm X 144.6mm)	1-5/8" (40mm)
Profondità totale	2-1/4" (56.4mm)	3-1/16" (92.7mm)	1-7/8" (47.6mm)	2-1/8" (52.6mm)	2-1/16" (52mm)	2" (50.7mm)	2-1/16" (67.3mm)	2-1/16" (52mm)	2-1/4" (56.4mm)	3-1/2" (88mm)	1-7/16" (36.1mm)
Profondità di montaggio	1-13/16" (44.6mm)	3-1/8" (77.8mm)	1-7/16" (35.7mm)	1-7/8" (46.8mm)	1-13/16" (45mm)	1-3/4" (43.9mm)	2-5/16" (68.5mm)	1-13/16" (45mm)	1-13/16" (44.6mm)	3-1/8" (77.8mm)	13/16" (20mm)

TEKNISET TIEDOT	CLUB 6520	CLUB 9630	CLUB 3020	CLUB 4020	CLUB 5020	CLUB 6420	CLUB 8620	CLUB 5000C	CLUB 6500C	CLUB 9600C	CLUB 750T
Tyyppi	6-1/2" (160mm) koaksiaalinen autokäytön	6" x 9" kolmeväkijärjestelmä	3-1/2" (87mm) koaksiaalinen autokäytön	4" (100mm) koaksiaalinen autokäytön	5-1/4" (130mm) koaksiaalinen autokäytön	4" x 6" koaksiaalinen autokäytön	6" x 8" koaksiaalinen autokäytön	5-1/4" (130mm) komponentti-lautajärjestelmä	6-1/2" (160mm) komponentti-lautajärjestelmä	6" x 9" komponentti-lautajärjestelmä	3/4" (19mm) komponentti-diskantti
Tehonkesto jatkuva	50W	80W	20W	30W	40W	30W	50W	50W	60W	90W	45W
Tehonkesto huippu	150W	240W	60W	90W	120W	105W	165W	165W	180W	270W	135W
Tajuusaste	55Hz-20kHz	50Hz-20kHz	90Hz-20kHz	75Hz-20kHz	75Hz-20kHz	75Hz-20kHz	65Hz-20kHz	70Hz-20kHz	55Hz-20kHz	50Hz-20kHz	3kHz-20kHz
Nimellisimpedanssi	3.0ohms	3.0ohms	3.0ohms	3.0ohms	3.0ohms	3.0ohms	3.0ohms	3.0ohms	3.0ohms	3.0ohms	3.0ohms
Herkkisyys (2.83 V/1m)	92dB	93dB	89dB	90dB	91dB	91dB	93dB	93dB	92dB	93dB	92dB
Ulkonen halkaisija	6-1/4" (158mm)	9-5/16" X 6-7/16" (236.5mm X 163mm)	3-7/16" (87mm)	4-1/16" (102.4mm)	5-1/8" (129mm)	6-3/16" X 3-3/8" (157mm X 99.5mm)	8-1/16" X 5-5/8" (220mm X 142.2mm)	5-1/8" (129mm)	6-1/4" (158mm)	9-5/16" X 6-7/16" (236.5mm X 163mm)	2-1/4" (56mm)
Asennusaukon halkaisija	4-7/8" (123.4mm)	8-1/2" X 5-3/4" (214.6mm X 144.6mm)	3" (75.5mm)	3-11/16" (92.1mm)	4-1/2" (113.6mm)	5-9/16" X 3-3/8" (140.4mm X 85.1mm)	7-1/4" X 5" (182.6mm X 125.6mm)	4-1/2" (113.6mm)	4-7/8" (123.4mm)	8-1/2" X 5-3/4" (214.6mm X 144.6mm)	1-5/8" (40mm)
Kokonaisyvyys	2-1/4" (56.4mm)	3-1/16" (92.7mm)	1-7/8" (47.6mm)	2-1/8" (52.6mm)	2-1/16" (52mm)	2" (50.7mm)	2-1/16" (67.3mm)	2-1/16" (52mm)	2-1/4" (56.4mm)	3-1/2" (88mm)	1-7/16" (36.1mm)
Monting depth	1-13/16" (44.6mm)	3-1/8" (77.8mm)	1-7/16" (35.7mm)	1-7/8" (46.8mm)	1-13/16" (45mm)	1-3/4" (43.9mm)	2-5/16" (68.5mm)	1-13/16" (45mm)	1-13/16" (44.6mm)	3-1/8" (77.8mm)	13/16" (20mm)

ESPECIFICACIONES	CLUB 6520
------------------	-----------

ТЕХНИЧЕСКИЕ ХАРАКТЕРИСТИКИ	CLUB 6520	CLUB 9630	CLUB 3020	CLUB 4020	CLUB 5020	CLUB 6420	CLUB 8620	CLUB 5000C	CLUB 6500C	CLUB 9600C	CLUB 750T
Тип	Квадратный автомобильный динамик размером 160 мм (6 1/2 дюйма)	Трехполосный автомобильный динамик размером 87 мм (3 1/2 дюйма)	Квадратный автомобильный динамик размером 87 мм (3 1/2 дюйма)	Квадратный автомобильный динамик размером 100 мм (4 дюйма)	Квадратный автомобильный динамик размером 130 мм (5 1/4 дюйма)	Квадратный автомобильный динамик размером 130 мм (5 1/4 дюйма)	Квадратный автомобильный динамик размером 130 мм (5 1/4 дюйма)	Квадратный автомобильный динамик размером 130 мм (5 1/4 дюйма)	Квадратная система динамик размером 130 мм (5 1/4 дюйма)	Квадратная система динамик размером 160 мм (6 1/2 дюйма)	Квадратная система динамик размером 190 мм (7 1/2 дюйма)
Постоянная мощность	50W	80W	20W	30W	40W	35W	55W	55W	60W	90W	45W
Пиковая мощность	150W	240W	60W	90W	120W	105W	165W	165W	180W	270W	135W
Эффективный рабочий диапазон частот	55Hz-20kHz	50Hz-20kHz	90Hz - 20kHz	75Hz - 20kHz	75Hz - 20kHz	75Hz-20kHz	65Hz - 20kHz	70Hz-20kHz	55Hz - 20kHz	50Hz - 20kHz	3kHz - 20kHz
Номинальный импеданс	3.0ohms	3.0ohms	3.0ohms	3.0ohms	3.0ohms	3.0ohms	3.0ohms	3.0ohms	3.0ohms	3.0ohms	3.0ohms
Чувствительность (2.83 В/м)	92dB	93dB	89dB	90dB	91dB	93dB	93dB	91dB	92dB	93dB	92dB
Внешний диаметр	6-1/4" (158mm)	9-5/16" X 6-7/16" (236.5mm X 163mm)	3-7/16" (87mm)	4-1/16" (102.4mm)	5-1/8" (129mm)	6-3/16" X 3-15/16" (157mm X 99.5mm)	8-11/16" X 5-5/8" (220mm X 142.2mm)	5-1/8" (129mm)	6-1/4" (158mm)	9-5/16" X 6-7/16" (236.5mm X 163mm)	2-1/4" (56mm)
Диаметр выемки для установки	4-7/8" (123.4mm)	8-1/2" X 5-3/4" (214.6mm X 144.6mm)	3" (75.5mm)	3-11/16" (82.1mm)	4-1/2" (113.6mm)	5-9/16" X 3-3/8" (140.4mm X 85.1mm)	7-1/4" X 5" (182.6mm X 125.6mm)	4-1/2" (113.6mm)	4-7/8" (123.4mm)	8-1/2" X 5-3/4" (214.6mm X 144.6mm)	1-5/8" (40mm)
Общая глубина	2-1/4" (56.4mm)	3-11/16" (82.7mm)	1-7/8" (47.6mm)	2-1/8" (52.6mm)	2-1/16" (52mm)	2" (50.7mm)	2-11/16" (67.3mm)	2-1/16" (52mm)	2-1/4" (56.4mm)	3-1/2" (88mm)	1-7/16" (36.1mm)
Глубина установки	1-13/16" (44.6mm)	3-1/8" (77.8mm)	1-7/16" (35.7mm)	1-7/8" (46.8mm)	1-13/16" (45mm)	1-3/4" (43.9mm)	2-5/16" (58.5mm)	1-13/16" (45mm)	1-13/16" (44.6mm)	3-1/8" (77.8mm)	13/16" (20mm)

English

仕様書	CLUB 6520	CLUB 9630	CLUB 3020	CLUB 4020	CLUB 5020	CLUB 6420	CLUB 8620	CLUB 5000C	CLUB 6500C	CLUB 9600C	CLUB 750T
型	6-1/2インチ(160mm) 同軸カースピーカー	6インチ×6インチ×3/4インチ(152mm) 同軸カースピーカー	3-1/2インチ(87mm) 同軸カースピーカー	4インチ(100mm) 同軸カースピーカー	5-1/4インチ(130mm) 同軸カースピーカー	5-1/4インチ(130mm) 同軸カースピーカー	8インチ×6インチ同軸カースピーカー	5-1/4インチ(130mm) コンポーネントスピーカーシステム	6-1/2インチ(160mm) コンポーネントスピーカーシステム	6インチ×6インチ×3/4インチ(152mm) コンポーネントスピーカーシステム	3/4インチ(19mm) コンポーネントスピーカーシステム
連続許容入力	50W	80W	20W	30W	40W	35W	55W	55W	60W	90W	45W
ピーク許容入力	150W	240W	60W	90W	120W	105W	165W	165W	180W	270W	135W
周波数特性	55Hz-20kHz	50Hz-20kHz	90Hz - 20kHz	75Hz - 20kHz	75Hz - 20kHz	75Hz-20kHz	65Hz - 20kHz	70Hz-20kHz	55Hz - 20kHz	50Hz - 20kHz	3kHz - 20kHz
公称インピーダンス	3.0ohms	3.0ohms	3.0ohms	3.0ohms	3.0ohms	3.0ohms	3.0ohms	3.0ohms	3.0ohms	3.0ohms	3.0ohms
感度(2.83V/1m)	92dB	93dB	89dB	90dB	91dB	93dB	93dB	91dB	92dB	93dB	92dB
外部直径	6-1/4" (158mm)	9-5/16" X 6-7/16" (236.5mm X 163mm)	3-7/16" (87mm)	4-1/16" (102.4mm)	5-1/8" (129mm)	6-3/16" X 3-15/16" (157mm X 99.5mm)	8-11/16" X 5-5/8" (220mm X 142.2mm)	5-1/8" (129mm)	6-1/4" (158mm)	9-5/16" X 6-7/16" (236.5mm X 163mm)	2-1/4" (56mm)
取り付けカットアウト直径	4-7/8" (123.4mm)	8-1/2" X 5-3/4" (214.6mm X 144.6mm)	3" (75.5mm)	3-11/16" (82.1mm)	4-1/2" (113.6mm)	5-9/16" X 3-3/8" (140.4mm X 85.1mm)	7-1/4" X 5" (182.6mm X 125.6mm)	4-1/2" (113.6mm)	4-7/8" (123.4mm)	8-1/2" X 5-3/4" (214.6mm X 144.6mm)	1-5/8" (40mm)
トータルの寸法	2-1/4" (56.4mm)	3-11/16" (82.7mm)	1-7/8" (47.6mm)	2-1/8" (52.6mm)	2" (50.7mm)	2-11/16" (67.3mm)	2-1/16" (52mm)	2-1/4" (56.4mm)	3-1/2" (88mm)	1-7/16" (36.1mm)	
埋め込み寸法	1-13/16" (44.6mm)	3-1/8" (77.8mm)	1-7/16" (35.7mm)	1-7/8" (46.8mm)	1-13/16" (45mm)	1-3/4" (43.9mm)	2-5/16" (58.5mm)	1-13/16" (45mm)	1-13/16" (44.6mm)	3-1/8" (77.8mm)	13/16" (20mm)

Japanese

DANE TECHNICZNE	CLUB 6520	CLUB 9630	CLUB 3020	CLUB 4020	CLUB 5020	CLUB 6420	CLUB 8620	CLUB 5000C	CLUB 6500C	CLUB 9600C	CLUB 750T
Model	współosiowy głośnik samochodowy 160 mm (6-1/2")	trójzónowy głośnik samochodowy 6" x 9"	współosiowy głośnik samochodowy 87 mm (3-1/2")	współosiowy głośnik samochodowy 100 mm (4")	współosiowy głośnik samochodowy 130 mm (5-1/4")	współosiowy głośnik samochodowy 130 mm (5-1/4")	współosiowy głośnik samochodowy 8" x 6"	zestaw głośnikowy 5-1/4" (130mm)	zestaw głośnikowy 6-1/2" (160mm)	zestaw głośnikowy 6" x 9"	głośnik wysokotonowy 3/4" (19mm)
Moc (ciągła)	50W	80W	20W	30W	40W	35W	55W	55W	60W	90W	45W
Moc (szczytowa)	150W	240W	60W	90W	120W	105W	165W	165W	180W	270W	135W
Paśmo przeniesienia	55Hz-20kHz	50Hz-20kHz	90Hz - 20kHz	75Hz - 20kHz	75Hz - 20kHz	75Hz-20kHz	65Hz - 20kHz	70Hz-20kHz	55Hz - 20kHz	50Hz - 20kHz	3kHz - 20kHz
Impedancja znamionowa	3.0ohms	3.0ohms	3.0ohms	3.0ohms	3.0ohms	3.0ohms	3.0ohms	3.0ohms	3.0ohms	3.0ohms	3.0ohms
Współczynniki (przy 2.83V/1m)	92dB	93dB	89dB	90dB	91dB	93dB	93dB	91dB	92dB	93dB	92dB
Średnica zewnętrzna	6-1/4" (158mm)	9-5/16" X 6-7/16" (236.5mm X 163mm)	3-7/16" (87mm)	4-1/16" (102.4mm)	5-1/8" (129mm)	6-3/16" X 3-15/16" (157mm X 99.5mm)	8-11/16" X 5-5/8" (220mm X 142.2mm)	5-1/8" (129mm)	6-1/4" (158mm)	9-5/16" X 6-7/16" (236.5mm X 163mm)	2-1/4" (56mm)
Średnica wnetrzu do montażu	4-7/8" (123.4mm)	8-1/2" X 5-3/4" (214.6mm X 144.6mm)	3" (75.5mm)	3-11/16" (82.1mm)	4-1/2" (113.6mm)	5-9/16" X 3-3/8" (140.4mm X 85.1mm)	7-1/4" X 5" (182.6mm X 125.6mm)	4-1/2" (113.6mm)	4-7/8" (123.4mm)	8-1/2" X 5-3/4" (214.6mm X 144.6mm)	1-5/8" (40mm)
Całkowita głębokość	2-1/4" (56.4mm)	3-11/16" (82.7mm)	1-7/8" (47.6mm)	2-1/8" (52.6mm)	2-1/16" (52mm)	2" (50.7mm)	2-11/16" (67.3mm)	2-1/16" (52mm)	2-1/4" (56.4mm)	3-1/2" (88mm)	1-7/16" (36.1mm)
Głębokość montażowa	1-13/16" (44.6mm)	3-1/8" (77.8mm)	1-7/16" (35.7mm)	1-7/8" (46.8mm)	1-13/16" (45mm)	1-3/4" (43.9mm)	2-5/16" (58.5mm)	1-13/16" (45mm)	1-13/16" (44.6mm)	3-1/8" (77.8mm)	13/16" (20mm)

Polish

规格	CLUB 6520	CLUB 9630	CLUB 3020	CLUB 4020	CLUB 5020	CLUB 6420	CLUB 8620	CLUB 5000C	CLUB 6500C	CLUB 9600C	CLUB 750T
型号	6-1/2" (160mm) 同轴汽车喇叭	6" x 9" 三路汽车喇叭	3-1/2" (87mm) 同轴汽车喇叭	4" (100mm) 同轴汽车喇叭	5-1/4" (130mm) 同轴汽车喇叭	5-1/4" (130mm) 同轴汽车喇叭	8" x 6" 同轴汽车喇叭	5-1/4" (130mm) 元件喇叭系统	6-1/2" (160mm) 元件喇叭系统	6" x 9" 元件喇叭系统	3/4" (19mm) 元件高音喇叭
连续的功率处理	50W	80W	20W	30W	40W	35W	55W	55W	60W	90W	45W
峰值的功率处理	150W	240W	60W	90W	120W	105W	165W	165W	180W	270W	135W
频率范围	55Hz-20kHz	50Hz-20kHz	90Hz - 20kHz	75Hz - 20kHz	75Hz - 20kHz	75Hz-20kHz	65Hz - 20kHz	70Hz-20kHz	55Hz - 20kHz	50Hz - 20kHz	3kHz - 20kHz
阻抗阻抗	3.0ohms	3.0ohms	3.0ohms	3.0ohms	3.0ohms	3.0ohms	3.0ohms	3.0ohms	3.0ohms	3.0ohms	3.0ohms
灵敏度(2.83V/1m)	92dB	93dB	89dB	90dB	91dB	93dB	93dB	91dB	92dB	93dB	92dB
外形	6-1/4" (158mm)	9-5/16" X 6-7/16" (236.5mm X 163mm)	3-7/16" (87mm)	4-1/16" (102.4mm)	5-1/8" (129mm)	6-3/16" X 3-15/16" (157mm X 99.5mm)	8-11/16" X 5-5/8" (220mm X 142.2mm)	5-1/8" (129mm)	6-1/4" (158mm)	9-5/16" X 6-7/16" (236.5mm X 163mm)	2-1/4" (56mm)
安装喇叭直径	4-7/8" (123.4mm)	8-1/2" X 5-3/4" (214.6mm X 144.6mm)	3" (75.5mm)	3-11/16" (82.1mm)	4-1/2" (113.6mm)	5-9/16" X 3-3/8" (140.4mm X 85.1mm)	7-1/4" X 5" (182.6mm X 125.6mm)	4-1/2" (113.6mm)	4-7/8" (123.4mm)	8-1/2" X 5-3/4" (214.6mm X 144.6mm)	1-5/8" (40mm)
总深度	2-1/4" (56.4mm)	3-11/16" (82.7mm)	1-7/8" (47.6mm)	2-1/8" (52.6mm)	2" (50.7mm)	2-11/16" (67.3mm)	2-1/16" (52mm)	2-1/4" (56.4mm)	3-1/2" (88mm)	1-7/16" (36.1mm)	
安装深度	1-13/16" (44.6mm)	3-1/8" (77.8mm)	1-7/16" (35.7mm)	1-7/8" (46.8mm)	1-13/16" (45mm)	1-3/4" (43.9mm)	2-5/16" (58.5mm)	1-13/16" (45mm)	1-13/16" (44.6mm)	3-1/8" (77.8mm)	13/16" (20mm)

Tamil

SPESIFIKASI	CLUB 6520	CLUB 9630	CLUB 3020	CLUB 4020	CLUB 5020	CLUB 6420	CLUB 8620	CLUB 5000C	CLUB 6500C	CLUB 9600C	CLUB 750T
Тип	Speaker mobil koaksial 6-1/2" (160mm)	Speaker mobil tiga jalur 6" x 9"	Speaker mobil koaksial 3-1/2" (87mm)	Speaker mobil koaksial 4" (100mm)	Speaker mobil koaksial 5-1/4" (130mm)	Speaker mobil koaksial 5-1/4" (130mm)	Speaker mobil koaksial 4" x 6"	Sistem speaker komponen 5-1/4" (130mm)	Sistem speaker komponen 6-1/2" (160mm)	Sistem speaker komponen 6" x 9"	Tweeter komponen 3/4" (19mm)
Penanganan daya kontinu	50W	80W	20W	30W	40W	35W	55W	55W	60W	90W	45W
Penanganan daya puncak	150W	240W	60W	90W	120W	105W	165W	165W	180W	270W	135W
Respons frekuensi	55Hz-20kHz	50Hz-20kHz	90Hz - 20kHz	75Hz - 20kHz	75Hz - 20kHz	75Hz-20kHz	65Hz - 20kHz	70Hz-20kHz	55Hz - 20kHz	50Hz - 20kHz	3kHz - 20kHz
Impedansi Nominal	3.0ohms	3.0ohms	3.0ohms	3.0ohms	3.0ohms	3.0ohms	3.0ohms	3.0ohms	3.0ohms	3.0ohms	3.0ohms
Sensitivitas (2.83V/1m)	92dB	93dB	89dB	90dB	91dB	93dB	93dB	91dB	92dB	93dB	92dB
Diameter eksternal	6-1/4" (158mm)	9-5/16" X 6-7/16" (236.5mm X 163mm)	3-7/16" (87mm)	4-1/16" (102.4mm)	5-1/8" (129mm)	6-3/16" X 3-15/16" (157mm X 99.5mm)	8-11/16" X 5-5/8" (220mm X 142.2mm)	5-1/8" (129mm)	6-1/4" (158mm)	9-5/16" X 6-7/16" (236.5mm X 163mm)	2-1/4" (56mm)
Diameter potongan dudukan	4-7/8" (123.4mm)	8-1/2" X 5-3/4" (214.6mm X 144.6mm)	3" (75.5mm)	3-11/16" (82.1mm)	4-1/2" (113.6mm)	5-9/16" X 3-3/8" (140.4mm X 85.1mm)	7-1/4" X 5" (182.6mm X 125.6mm)	4-1/2" (113.6mm)	4-7/8" (123.4mm)	8-1/2" X 5-3/4" (214.6mm X 144.6mm)	1-5/8" (40mm)
Kedalaman total	2-1/4" (56.4mm)	3-11/16" (82.7mm)	1-7/8" (47.6mm)	2-1/8" (52.6mm)	2-1/16" (52mm)	2" (50.7mm)	2-11/16" (67.3mm)	2-1/16" (52mm)	2-1/4" (56.4mm)	3-1/2" (88mm)	1-7/16" (36.1mm)
Kedalaman dudukan	1-13/16" (44.6mm)	3-1/8" (77.8mm)	1-7/16" (35.7mm)	1-7/8" (46.8mm)	1-13/16" (45mm)	1-3/4" (43.9mm)	2-5/16" (58.5mm)	1-13/16" (45mm)	1-13/16" (44.6mm)	3-1/8" (77.8mm)	13/16" (20mm)

Indonesian

SPECIFIKATIONER	CLUB 6520	CLUB 9630	CLUB 3020	CLUB 4020	CLUB 5020	CLUB 6420	CLUB 8620	CLUB 5000C	CLUB 6500C	CLUB 9600C	CLUB 750T
Type	6-1/2" (160 mm) koaksial bilhøjttaler	6" x 9" 3-vejs koaksial bilhøjttaler	3-1/2" (87 mm) koaksial bilhøjttaler	4" (100 mm) koaksial bilhøjttaler	5-1/4" (130 mm) koaksial bilhøjttaler	5-1/4" (130 mm) koaksial bilhøjttaler	4" x 6" koaksial bilhøjttaler	5-1/4" (130 mm) komponent højttalersystem	6-1/2" (160 mm) komponent højttalersystem	6" x 9" komponent højttalersystem	3/4" (19 mm) komponent diskant
Kontinuerlig effekthåndtering	50W	80W	20W	30W	40W	35W	55W	55W	60W	90W	45W
Spidsbelastning	150W	240W	60W	90W	120W	105W	165W	165W	180W	270W	135W
Frekvensområde	55Hz-20kHz	50Hz-20kHz	90Hz - 20kHz	75Hz - 20kHz	75Hz - 20kHz	75Hz-20kHz	65Hz - 20kHz	70Hz-20kHz	55Hz - 20kHz	50Hz - 20kHz	3kHz - 20kHz
Nominal impedans	3.0ohms	3.0ohms	3.0ohms	3.0ohms	3.0ohms	3.0ohms	3.0ohms	3.0ohms	3.0ohms	3.0ohms	3.0ohms
Følsomhed (2.83V/1m)	92dB	93dB	89dB	90dB	91dB	93dB	93dB	91dB	92dB	93dB	92dB
Uvendig diameter	6-1/4" (158mm)	9-5/16" X 6-7/16" (236.5mm X 163mm)	3-7/16" (87mm)	4-1/16" (102.4mm)	5-1/8						