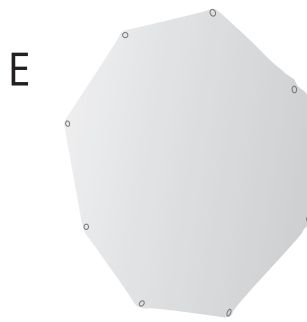
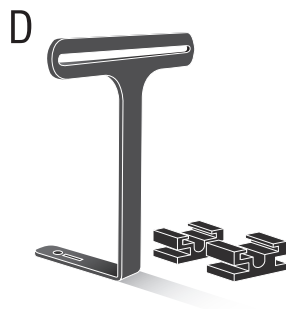


aurora Lite Bank®  
**FIREFLY** DUET

### 1. Parts



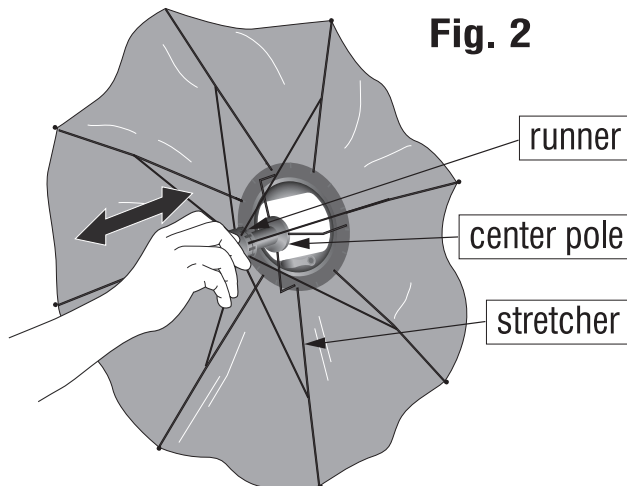
A: Carry bag  
B: Firefly Duo completed with speedring  
C: Stand bracket

D: Shoe mount bracket with 2 hot shoes  
E: Inner Diffuser  
F: Outer Diffuser

### 2. Setting up procedure

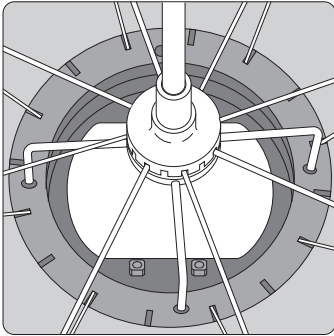


Fig. 1

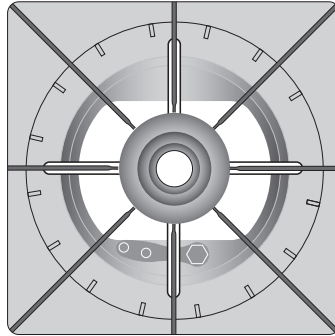


Undo the tie around the Firefly Beauty Box Duet first and then press the runner toward the center pole. See fig. 1 & fig. 2

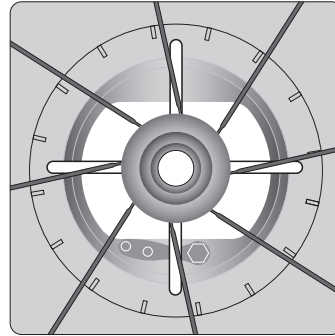
**Fig. 3**



**Fig. 4** ○



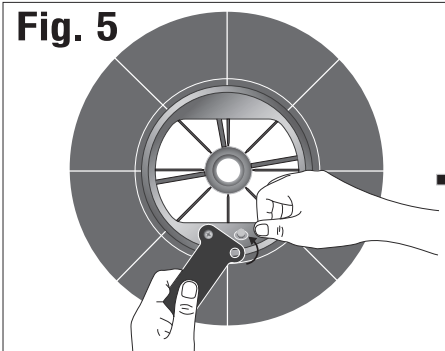
**X**



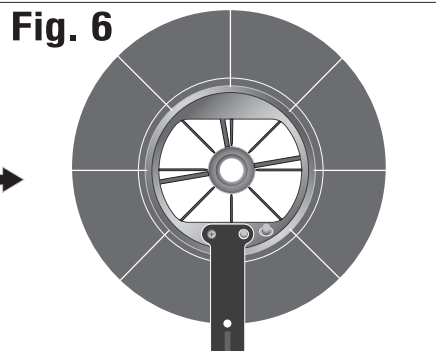
Make sure all the stretchers are straight and equal. If the stretchers are twisted, rotate the runner slightly until they are all straight.

Once Firefly Duet is spread out, place it on the clean and flat floor upside down to assemble stand bracket.

**Fig. 5**

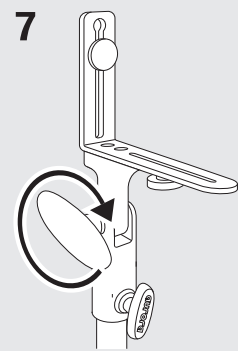


**Fig. 6**



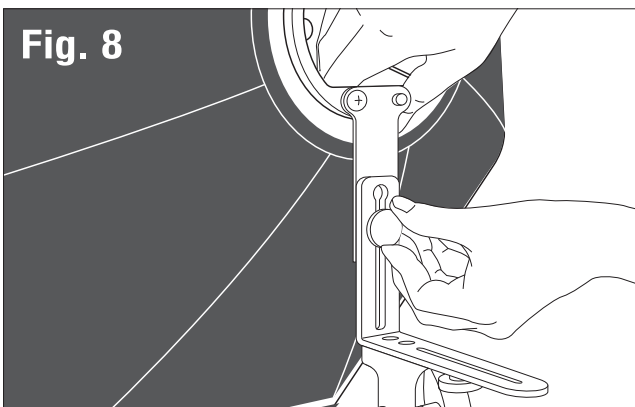
Rotate the attached arm anticlockwise while pressing the button on the ring. Locate the hole in the arm over the stud then release the button so that the stud protrudes through the hole in the arm which will lock it securely into place. See fig. 5 & fig. 6  
Softbox can rotate 360° so, just hold the arm and rotate the ring any direction you want.

**Fig. 7**

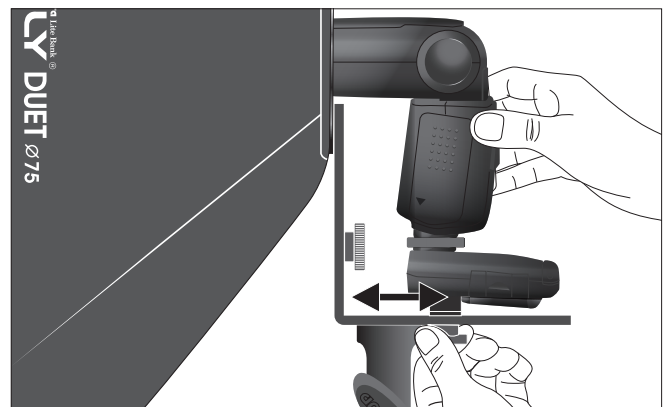


Swing open the stand mount bracket and tighten the screw clockwise.

**Fig. 8**



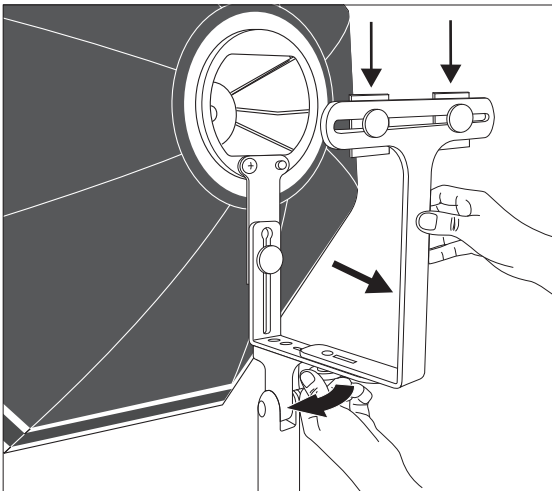
Screw the stand bracket to the erected arm. Rotate the screw clockwise to secure locking and mount the bracket to a light stand. Screw the shoe mounting bracket to the swivel bracket as indicated.



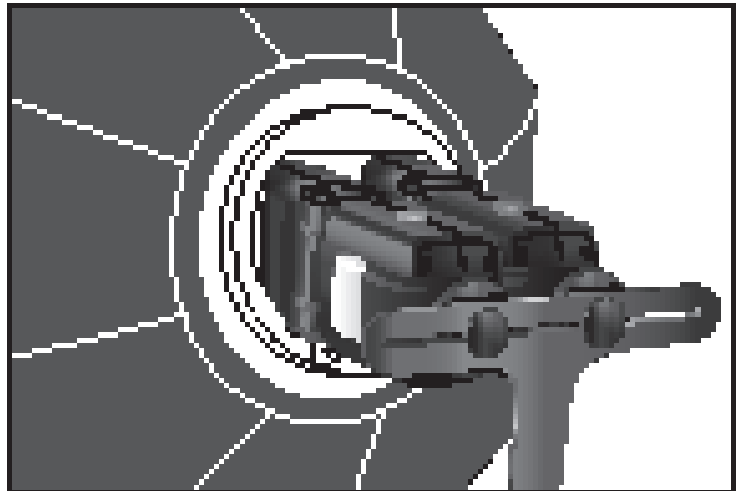
**Fig. 9**

To use with one speedlight, no attachment to shoe mount bracket is necessary.

**Fig. 10**



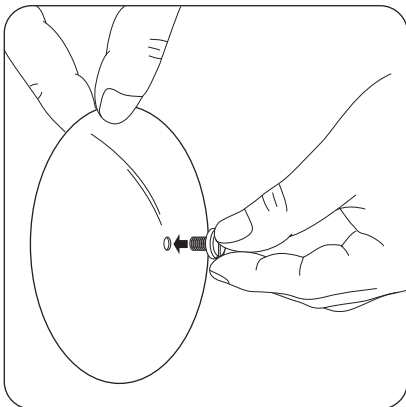
**Fig. 11**



To use with two speedlights, attach a shoe mount bracket to a stand bracket. See fig. 10 Mount your speedlights and secure them with the small screws on the shoes. Integration of radio receiver can be done easily by fitting it under the flash. Adjust height and distance for perfect lighting. See fig. 11

**If an optional deflector is available**

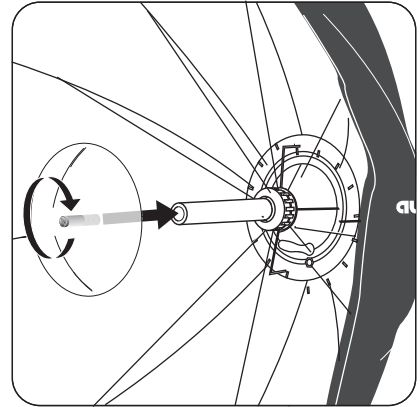
**Fig. 12**



**Fig. 13**



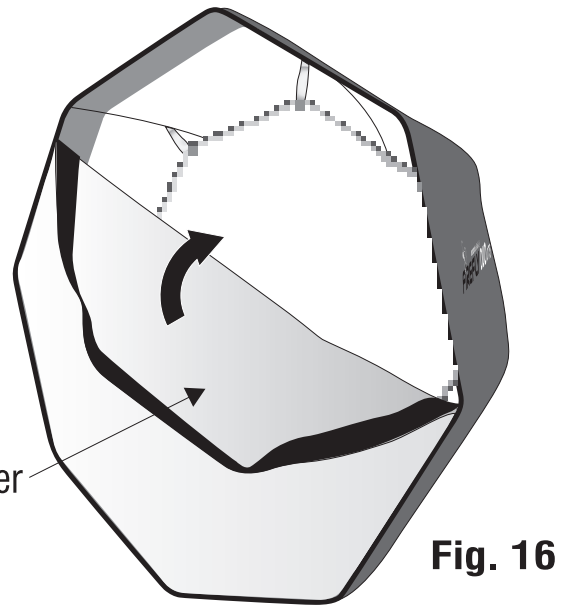
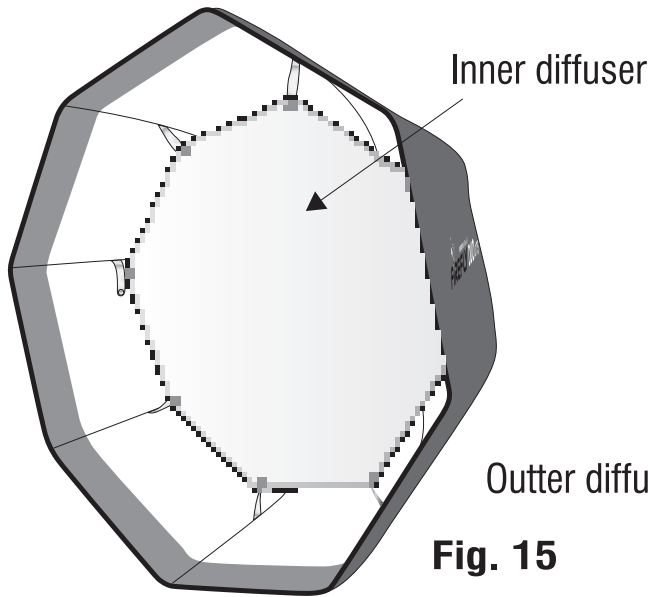
**Fig. 14**



Insert a tightening bolt into a hole in the center of deflector. See fig. 12

Hold the deflector upside down and screw and an extension rod onto the bolt. See fig. 13

Screw an assembled deflector into the internal pole of Firefly Duet. See fig. 14



To use Firefly Duet for soft light, attach inner and outer diffuser instead of deflector. See fig. 15 and fig. 16

**Fig. 17**



Soft grids can be used in addition for more directional light. See fig. 17

To keep pace with our continued design and development, this product may be modified by Aurora Lite Bank at any time.

123 Secheonro 3-gil, Dasaup, Dalseonggun, Daegu 711-814, KOR. Tel. +82-53- 384-9874 Fax. +82-53-384-9886  
www.auroralitebank.com e-mail : alb@alb.co.kr © 2014 Aurora Lite Bank. All right reserved