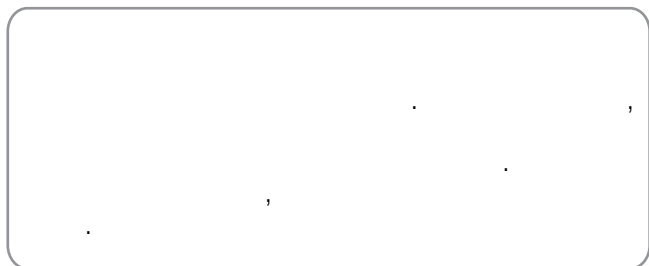


FCC ( )

15 FCC ( ).

- 
- 
- 
- 

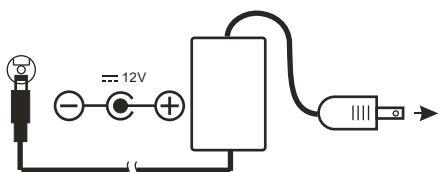
- 
- 
- 
- 



	.....	5
-	.....	5
-	.....	6
-	.....	7
-	.....	7
-	.....	7
-	.....	7
-	.....	7
-	.....	7
-	MIDI .....	8
-	.....	8
-	.....	8
-	.....	8
-	.....	9
-	DRUM OFF .....	9
-	.....	9
-	.....	9
-	.....	9
-	.....	10
-	.....	10
-	.....	10
-	.....	10
-	.....	11
-	.....	11
-	.....	11
-	.....	11
-	USB .....	11
-	AUX IN .....	11
-	.....	12
-	.....	13
-	.....	14
-	MIDI .....	15
-	.....	16

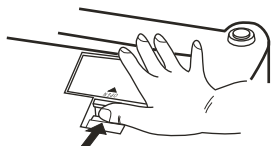
DC IN,

12



6

1



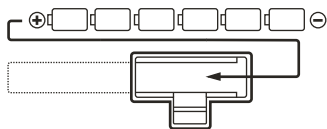
30

[START/STOP],

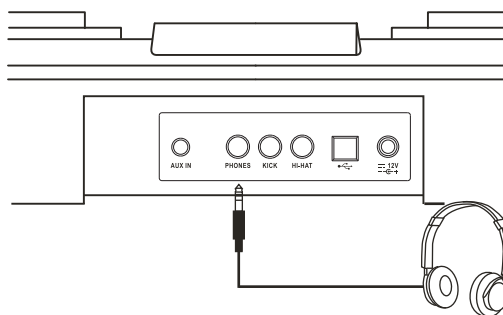
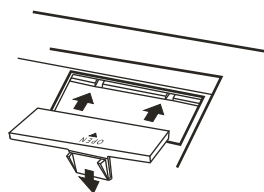
2

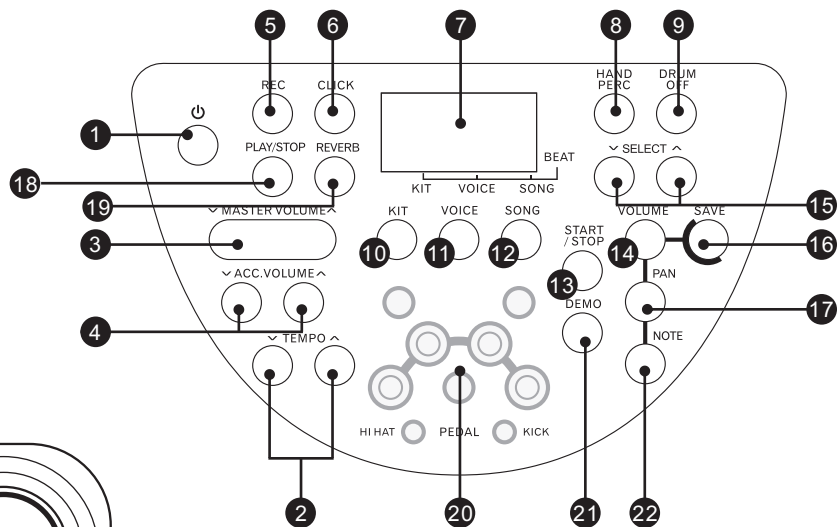
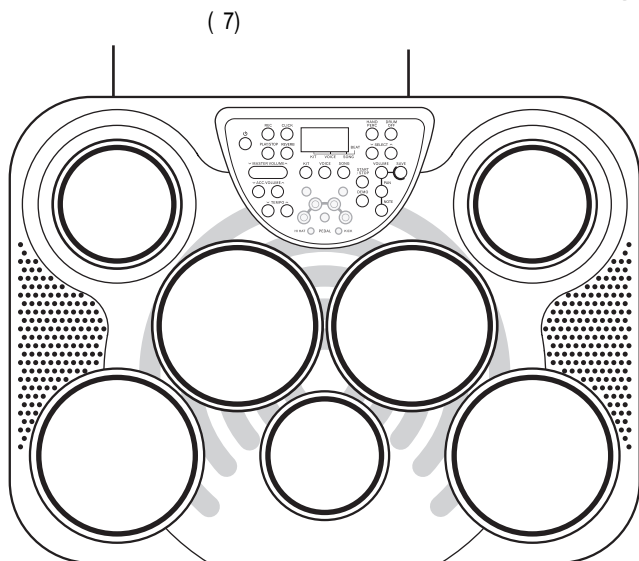
6 "C", R14, SUM-2

PHONES/OUTPUT,



3





- |       |                   |     |            |
|-------|-------------------|-----|------------|
| 1.    | POWER             | 10. | KIT        |
| 2.    | TEMPO+/-          | 11. | VOICE      |
| 3.    | MASTER VOLUME +/- | 12. | SONG       |
| 4.    | ACC. VOLUME +/-   | 13. | START/STOP |
| 5.    | REC               | 14. | VOLUME     |
| 6.    | CLICK             | 15. | SELECT +/- |
| 7. 3- |                   | 16. | SAVE       |
|       | DD315,            | 17. | PAN        |
| 8.    | HAND PERCUSSION   | 18. | PLAY/STOP  |
| 9.    | DRUM OFF          |     |            |

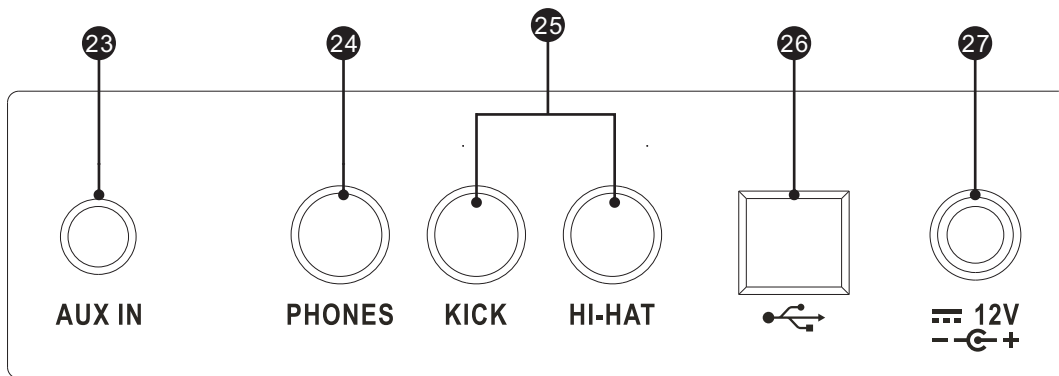
19. REVERB

20.

21. DEMO

22. NOTE

MIDI



23. AUXIN

24. PHONES CD MP3

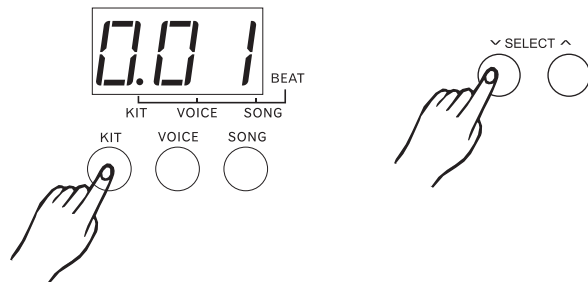
25. KICK HI-HAT

26. USB

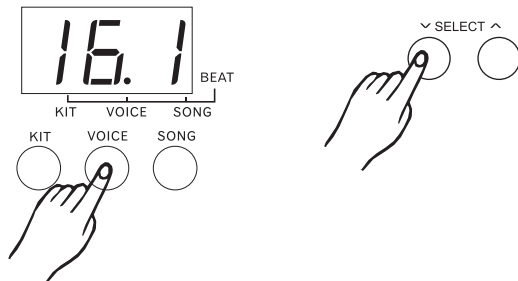
27. DC IN

12

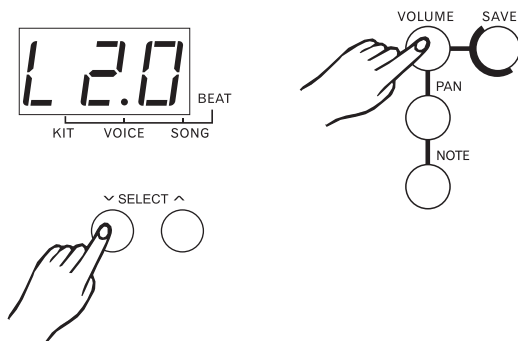
[KIT] 001.  
(drum kit).  
SELECT [+] / [-]  
(1-45)  
(46-50).



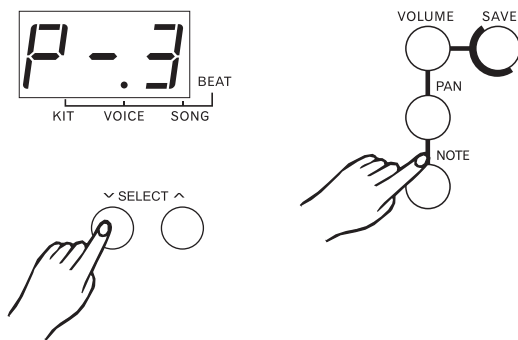
[VOICE] 001, VOICE 161,  
(voice menu).  
SELECT [+] / [-].  
3-  
265



[VOLUME] 3-  
SELECT [+] / [-].  
0-31



[PAN] 3-  
SELECT [+] / [-].  
-8~+8



# MIDI

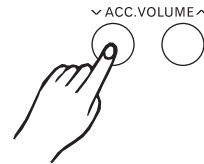
MIDI	<p>[NOTE]</p> <p>3-</p> <p>MIDI</p> <p>SELECT [+]/[-].</p>	<p>n00-n99</p>		
[+]/[-].	<p>[SAVE]</p> <p>( 46-50)</p>	<p>SELECT</p>		
"Err".	<p>[SAVE]</p>			
1-100	<p>[SONG]</p> <p>001.</p> <p>SELECT [+]/[-]. 80</p> <p>[START/STOP]</p>	<p>q</p>		
VOLUME [+]/[-].	<p>0-16</p>	<p>"L".</p> <p>MASTER</p>		



" "

VOLUME [+] / [-].

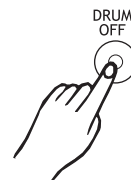
0-16



### DRUM OFF

[DRUM OFF]

[DRUM OFF]

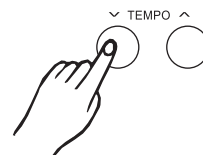


TEMPO [+] / [-]

30-280

[+] [-]

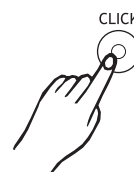
).



[CLICK].

( )

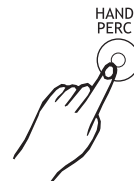
[CLICK]  
[CLICK]



[HAND PERC]

77

15.



[DEMO]

"dE";  
[START/STOP].



PLAY/STOP



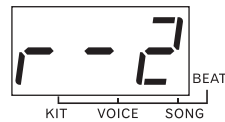
## Reverb ( )

[REVERB]

"R".

0-3

SELECT [+]/[-].



Drum off.

[REC],  
[START/STOP]

[START/STOP]

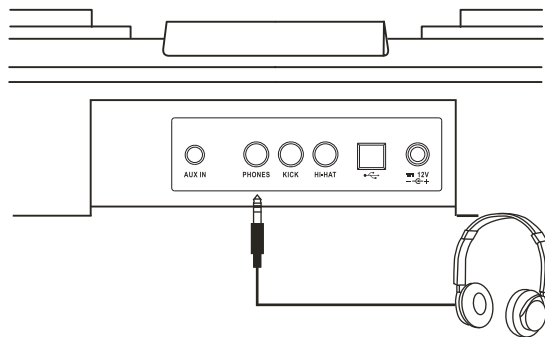
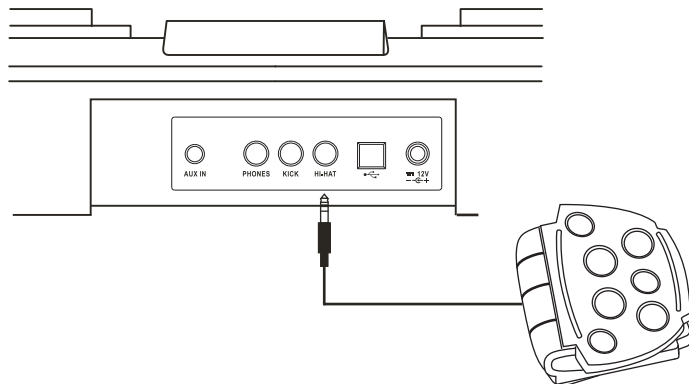
[REC].

"FL",

[KLICK].

[PLAY/STOP]





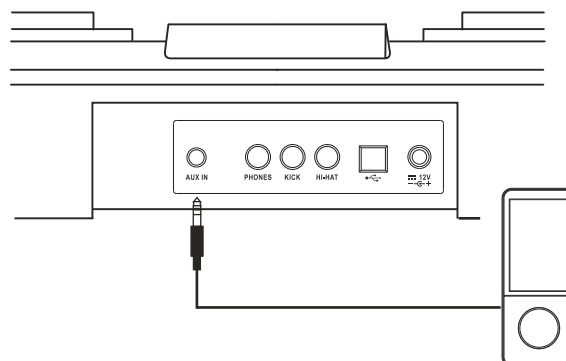
## USB

MIDI

MIDI

## AUX IN

Mp3 CD



NO.	Name
<b>KICK</b>	
1	22" Acoustic Kick
2	24" Standard Kick
3	Brush Kick
4	Rock Kick
5	Jazz Kick
6	Room Kick
7	Fusion Kick
8	1970's Kick
9	Vintage Kick
10	HipHop Kick
11	Reggae Kick
12	Old School Kick
13	Lo-Fi Kick
14	Junkyard Kick
15	Noise Kick
16	Drum & Bass Kick
17	808 Kick
18	909 Kick
19	Electronic Kick 1
20	Dance Kick
21	FX Mix Kick
22	Techno Kick
23	Electronic Kick 2
24	Magic Kick
<b>SNARE</b>	
25	14" Acoustic Snare
26	14" Standard Snare
27	14" Funk Snare
28	Brush Snare
29	14" Jazz Snare
30	14" Rock Snare
31	13" Damped Snare
32	Orchestra Snare
33	Orchestra Snare Rim
34	Room Snare
35	Fusion Snare
36	Big Band Snare
37	Vintage Snare
38	Live Snare
39	Reggae Snare
40	R&B Snare 1
41	808 Snare
42	909 Snare
43	R&B Snare 2
44	Electronic Snare
45	Power Snare
46	Dance Snare
47	Old School Snare
48	House Snare
49	Lo-Fi Snare
50	Junkyard Snare
51	Noise Snare
52	Drum & Bass Snare
53	Techno Snare

54	Techno Snare Rim
55	Magic Snare
56	Acoustic Snare Stick
57	Standard Snare Stick
58	Brush Snare Stick
59	Rock Snare Stick
60	Live Snare Stick
61	Room Snare Stick
62	Fusion Snare Stick
63	Brush Swirl
<b>Tom</b>	
64	Acoustic Tom 1
65	Acoustic Tom 2
66	Acoustic Tom 3
67	Acoustic Tom 4
68	Acoustic Tom 5
69	Acoustic Tom 6
70	Brush Tom 1
71	Brush Tom 2
72	Brush Tom 3
73	Brush Tom 4
74	Brush Tom 5
75	Brush Tom 6
76	Jazz Tom 1
77	Jazz Tom 2
78	Jazz Tom 3
79	Jazz Tom 4
80	Jazz Tom 5
81	Jazz Tom 6
82	808 Tom 1
83	808 Tom 2
84	808 Tom 3
85	808 Tom 4
86	808 Tom 5
87	808 Tom 6
88	909 Tom 1
89	909 Tom 2
90	909 Tom 3
91	909 Tom 4
92	909 Tom 5
93	909 Tom 6
94	Electronic Tom 1
95	Electronic Tom 2
96	Electronic Tom 3
97	Electronic Tom 4
98	Electronic Tom 5
99	Electronic Tom 6
100	Power Tom 1
101	Power Tom 2
102	Power Tom 3
103	Power Tom 4
104	Power Tom 5
105	Power Tom 6
106	Lo-Fi Tom 1
107	Lo-Fi Tom 2
108	Lo-Fi Tom 3

109	Lo-Fi Tom 4
110	Lo-Fi Tom 5
111	Lo-Fi Tom 6
112	Junkyard Tom 1
113	Junkyard Tom 2
114	Junkyard Tom 3
115	Junkyard Tom 4
116	Junkyard Tom 5
117	Junkyard Tom 6
118	Noise Tom 1
119	Noise Tom 2
120	Noise Tom 3
121	Noise Tom 4
122	Noise Tom 5
123	Noise Tom 6
124	Techno Tom 1
125	Techno Tom 2
126	Techno Tom 3
127	Techno Tom 4
128	Techno Tom 5
129	Techno Tom 6
130	Magic Tom 1
131	Magic Tom 2
132	Magic Tom 3
133	Magic Tom 4
<b>Ride</b>	
134	20" Funk Ride
135	808 Ride
136	Ride
137	House Ride
138	Lo-Fi Ride
139	Junkyard Ride
140	Noise Ride
<b>Crash</b>	
141	16" Acoustic Crash
142	16" Acoustic Crash Edge
143	16" Rock Crash
144	16" Rock Crash Edge
145	808Crash
146	909Crash
147	Electronic Crash
148	Brush Crash
149	Lo-Fi Crash
150	China
151	Splash
<b>Hihat</b>	
152	14" Acoustic Hi-hat Close
153	14" Acoustic Hi-hat Open
154	14" Acoustic Hi-hat Edge Close
155	14" Acoustic Hi-hat Edge Open
156	14" Acoustic Hi-hat Pedal
157	14" Acoustic Hi-hat Splash
158	Rock Hi-hat Close
159	Rock Hi-hat Open
160	Fusion Hi-hat Close
161	Fusion Hi-hat Open

162	808 Hi-hat Close
163	808 Hi-hat Open
164	808 Hi-hat Pedal
165	808 Hi-hat Splash
166	909 Hi-hat Close
167	909 Hi-hat Open
168	909 Hi-hat Pedal
169	909 Hi-hat Splash
170	Dance Hi-hat Close
171	Dance Hi-hat Open
172	Dance Hi-hat Pedal
173	Dance Hi-hat Splash
174	Lo-Fi Hi-hat Close
175	Lo-Fi Hi-hat Open
176	Lo-Fi Hi-hat Edge
177	Lo-Fi Hi-hat Pedal
178	Lo-Fi Hi-hat Splash
<b>PERCUSSION 1</b>	
179	Nan Bang
180	Da Mu Yu
181	Xiao Bo
182	Xiao Luo
183	Peng Lin
184	Maracas
185	Metronome Bell
186	Vibra-slap
187	Synthesis Percussion
188	High Q
189	Low Q
190	Mute Hi Conga
191	Open Hi Conga
192	Low Conga
193	High Bongo
194	Low Bongo
195	High Agogo
196	Low Agogo
197	Claves
198	Jingle Bell
199	Cowbell
200	Tambourine
201	Cabasa
202	Long Guiro
203	Short Guiro
204	Vibraphone C3
205	Vibraphone Db3
206	Vibraphone D3
207	Vibraphone Eb3
208	Vibraphone E3
209	Vibraphone F3
210	Vibraphone Gb3
211	Vibraphone G3
212	Vibraphone Ab3
213	Vibraphone A3
214	Vibraphone Bb3
215	Vibraphone B3
216	Vibraphone C4

217	Vibraphone Db4
218	Vibraphone D4
219	Vibraphone Eb4
220	Vibraphone E4
221	Vibraphone F4
222	Vibraphone Gb4
223	Vibraphone G4
224	Vibraphone Ab4
225	Vibraphone A4
226	Vibraphone Bb4
227	Vibraphone B4
228	Vibraphone C5
229	Vibraphone Db5

230	Vibraphone D5
231	Vibraphone Eb5
232	Vibraphone E5
233	Vibraphone F5
234	Vibraphone Gb5
235	Vibraphone G5
236	Vibraphone Ab5
237	Vibraphone A5
238	Vibraphone Bb5
239	Vibraphone B5
240	Vibraphone C6
241	Orchestra Timp C2
242	Orchestra Timp Db2

243	Orchestra Timp D2
244	Orchestra Timp Eb2
245	Orchestra Timp E2
246	Orchestra Timp F2
247	Orchestra Timp Gb2
248	Orchestra Timp G2
249	Orchestra Timp Ab2
250	Orchestra Timp A2
251	Orchestra Timp Bb2
252	Orchestra Timp B2
253	Orchestra Timp C3
254	Orchestra Timp Db3
255	Orchestra Timp D3

256	Orchestra Timp Eb3
257	Orchestra Timp E3
258	Orchestra Timp F3
259	Orchestra Timp Gb3
260	Orchestra Timp G3
261	Orchestra Timp Ab3
262	Orchestra Timp A3
263	Orchestra Timp Bb3
264	Orchestra Timp B3
265	Orchestra Timp C4

NO.	Name
1	Standard
2	Hard Rock
3	Ballad
4	Acoustic
5	Funk Band
6	Funk
7	Jazz Brush
8	Dance
9	Rock
10	Jazz
11	808
12	909
13	Latin
14	Room
15	Percussion 1
16	Metal
17	Vibraphone
18	Electronic
19	Reggae
20	Fusion 1
21	Drum & Bass
22	Pop
23	Brush
24	World
25	Orchestra

26	Ska
27	Songo
28	Lo-Fi
29	1970's
30	HipHop
31	Big Band
32	Old School
33	R&B
34	Magic
35	Live
36	House
37	Jazz Latin
38	Fusion 2
39	Percussion 2
40	Teckno
41	Vintage
42	Junkyard
43	Noise
44	Studio 1
45	Studio 2
46	User 1(Standard)
47	User 2(Hard Rock)
48	User 3(Ballad)
49	User 4(Acoustic)
50	User 5(Funk Band)

NO.	Name
1	BluesFunk
2	NuJazzFunk
3	funk1
4	funk2
5	funk3
6	funk4
7	pop funk1
8	pop funk2
9	RetroFunk
10	Fusion1
11	Fusion2
12	Fusion3
13	Fusion4
14	Fusion5
15	Fusion6
16	CoolJazz
17	BigBand1
18	BigBand2
19	BigBand3
20	BigBand4
21	Swing
22	Bebop
23	3/4 jazz
24	Jazz
25	latin jazz1
26	latin jazz2
27	Dance 1
28	DiscoHouse
29	Trance
30	TripHop
31	DrumNBass
32	BreakBeat1
33	Dancefunk
34	Hiphop
35	Dance2
36	D N'B1
37	D N'B2
38	Break beat2
39	ClassicRock
40	HeavyRock
41	RockBallad
42	RockNRoll
43	Punk
44	Rock
45	80's Metal
46	Shuffle
47	60's rock
48	Smaba1
49	BossaNova
50	Salsa
51	Ska
52	Reggae1
53	Reggae2
54	Reggae3
55	LatinRock1

56	LatinRock2
57	Mambo
58	Samba2
59	Latin pop
60	Gtr Bossa
61	LatinDance1
62	LatinDance2
63	R&B1
64	R&B2
65	JazzyFunk
66	Blues
67	Country
68	CountryPop
69	Country Blues
70	Ballad 1
71	BritPop
72	8BeatPop1
73	60'sPop
74	8 Beat 1
75	8 Beat 2
76	8 beat ballad 1
77	8 beat ballad 2
78	16 beat ballad 1
79	16 beat ballad 2
80	world
81	funk1
82	funk2
83	modern jazz
84	big band
85	swing
86	slow fusion
87	country
88	latinjazz
89	reggae
90	latin
91	boogie
92	disco
93	d n'b
94	metal
95	hardrock
96	8 beat 1
97	8 beat 2
98	16 beat 1
99	funk 3
100	funk 4

Function		Transmitted	Recognized	Remarks
Basic Channel	Default Changed	10ch ×	1-16ch ×	
Mode	Default Messages Altered	×	1 ×	
Note Number :	True voice	27-88 *****	0—127 0—127	
Velocity :	Note on Note off	○ 9nH,V=1-127 × (9nH,V=0)	○ 9nH,V=1-127 × (9nH,V=0; 8nH,V=0-127)	
After Touch	key's Ch's	×	×	
Pitch Bend		×	○	
Control	0 1 5 7 10 11 20 64 65 66 67 80 81 91 93 120 121 123	×	○	Bank select Modulation Portamento time Volume Pan Expression Rhythm allocation Sustain Pedal Portamento on/off Sostenuto Pedal Soft Pedal Reverb Program Chorus Program Reverb level Chorus level All Sound Off Reset all controllers All notes off
Program Change :	true	×	○ 0—127	
System Exclusive		*****	○	
System Common :	Song Position Song Select Tune	×	×	
System Common :	Song Position Song Select Tune	×	×	
System Real Time :	Clock Commands Start Stop	×	×	
Aux Messages :	LOCAL ON/OFF All Notes Off Active sense Reset	×	×	

Mode 1: OMNI ON , POLY  
Mode 3: OMNI OFF , POLY

Mode 2: OMNI ON , MONO  
Mode 4: OMNI OFF , MONO

○ : YES  
× : NO

:	7	,	(	-	-	)					
	3-										
	1	1	USB (MIDI IN/OUT)								
	45		,	5							
	265	128	GM								
	100	(	80	20	)						
	1										
	1										
:											
:	2										
:	500	(	)	x	370	(	)	x	157,4	(	)
:	3,3										

\*